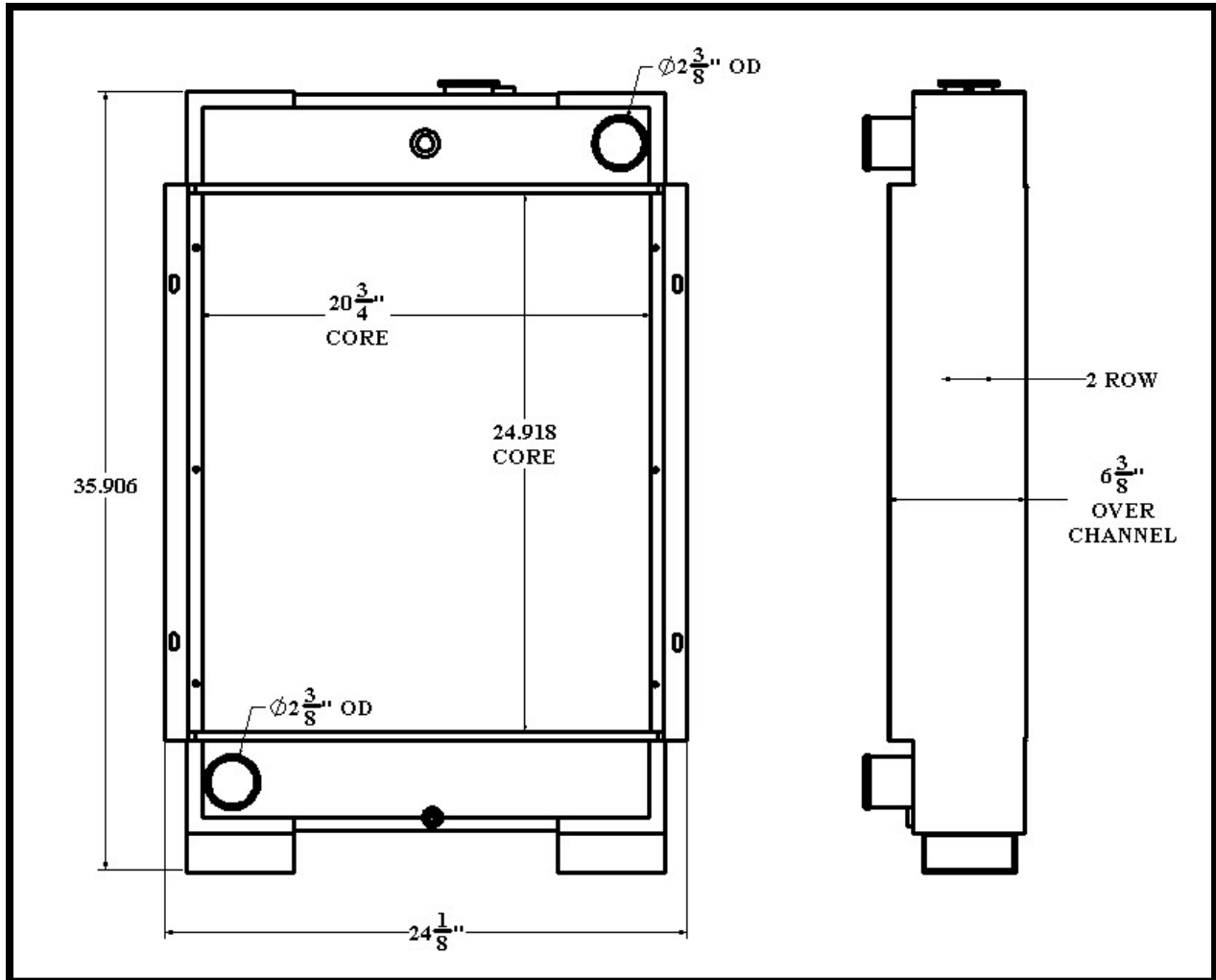


BGR Part Number: ST-0310-2T-FM

45-60 KW, SDM, 30301051901



Overall Dimensions: 35.906" X 24-1/8" X 6-3/8"

Core: 24.918" X 20-3/4" X 2 ROW

Inlet: 2-3/8" OD

Outlet: 2-3/8" OD