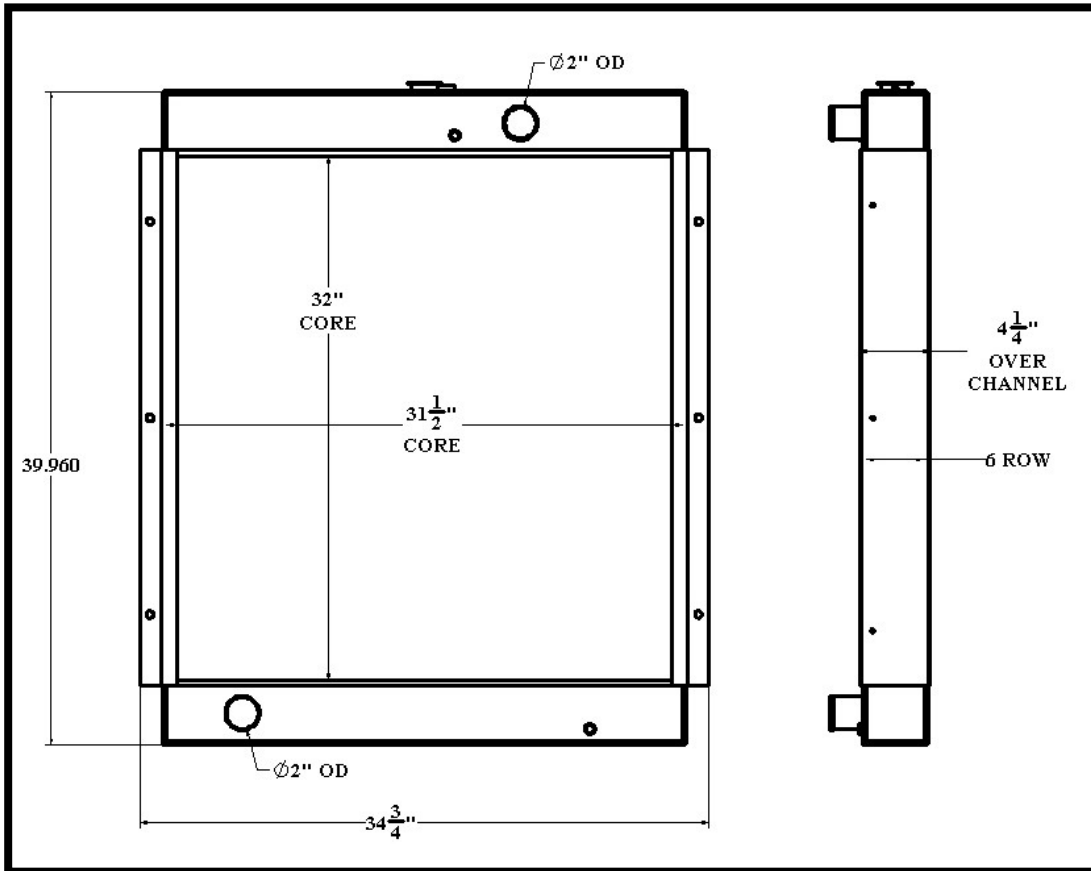


BGR Part Number: ST-0295-6I-F



Overall Dimensions: 39.960" X 34-3/4" X 4-1/4"

Core: 32" X 31-1/2" X 6 ROW

Inlet: 2" OD

Outlet: 2" OD