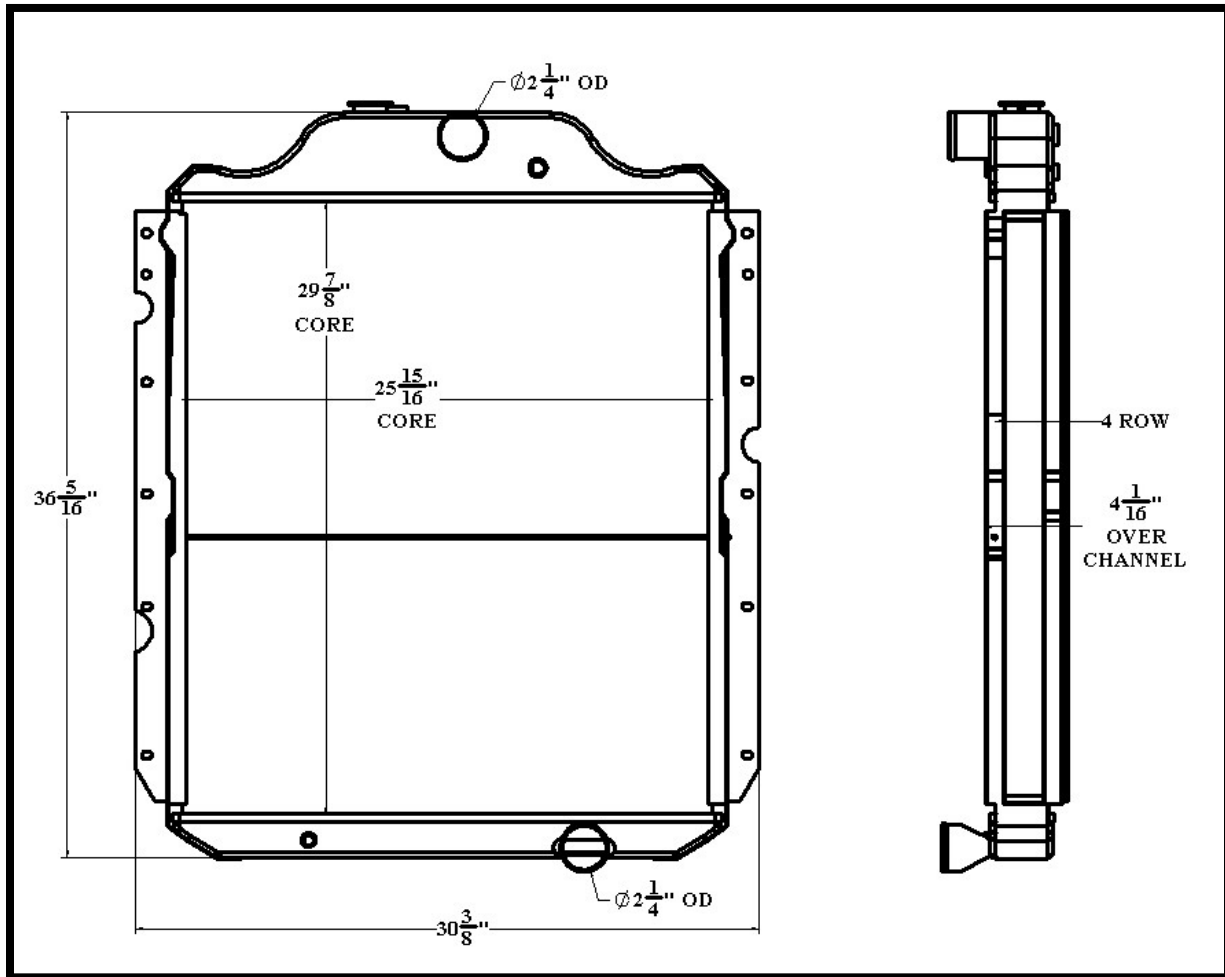


BGR Part Number: ST-0294-2VTU-F



Overall Dimensions:  $36\frac{5}{16}$ " X  $30\frac{3}{8}$ " X  $4\frac{1}{16}$ "

Core:  $29\frac{7}{8}$ " X  $25\frac{15}{16}$ " X 4 ROW

Inlet:  $2\frac{1}{4}$ " OD

Outlet:  $2\frac{1}{4}$ " OD