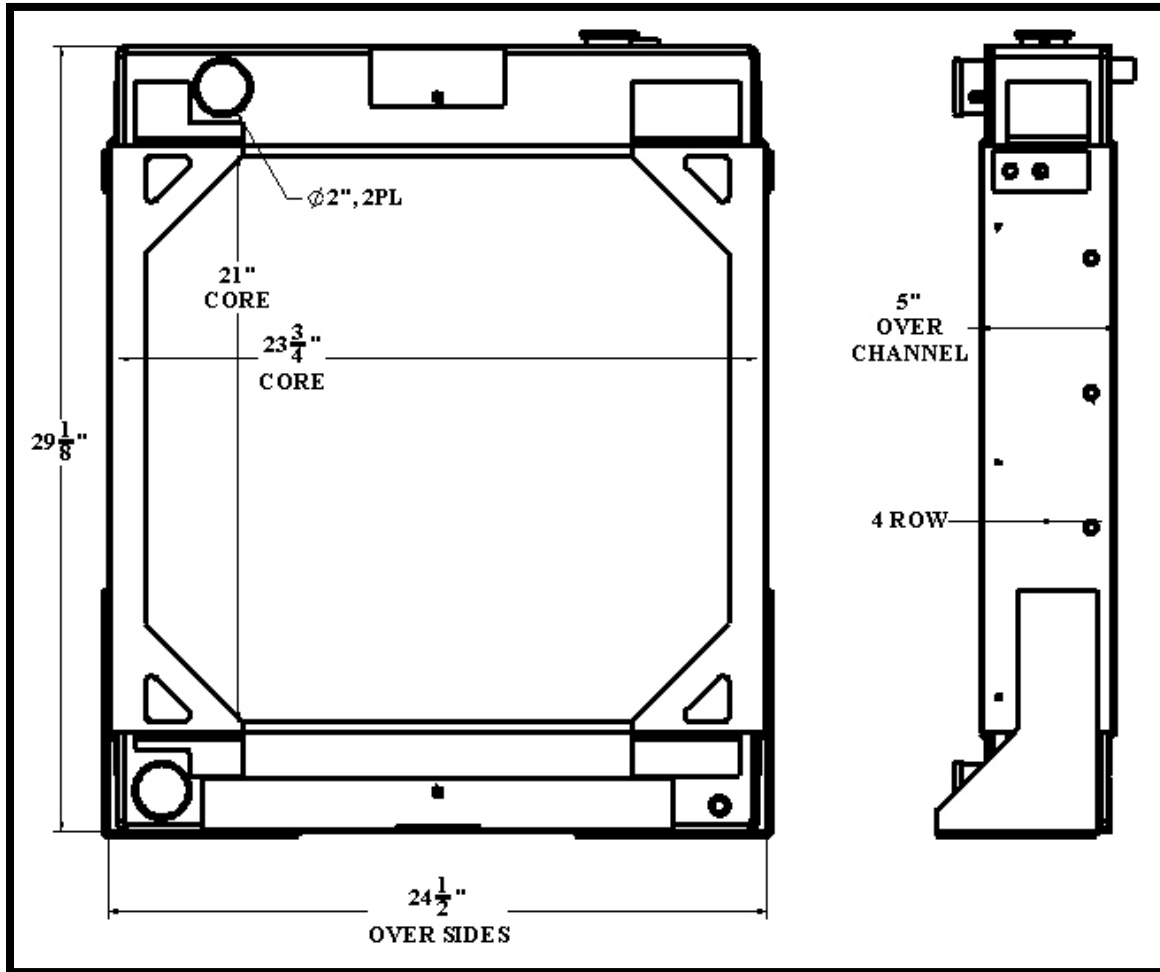


BGR Part Number: ST-0248-5N-NC

1A11266, AT75227



Overall Dimensions: $29\text{-}1/8$ " X $24\text{-}1/2$ " X 5"

Core: 21" X $23\text{-}3/4$ " X 4 ROW

Inlet: 2" OD

Outlet: 2" OD