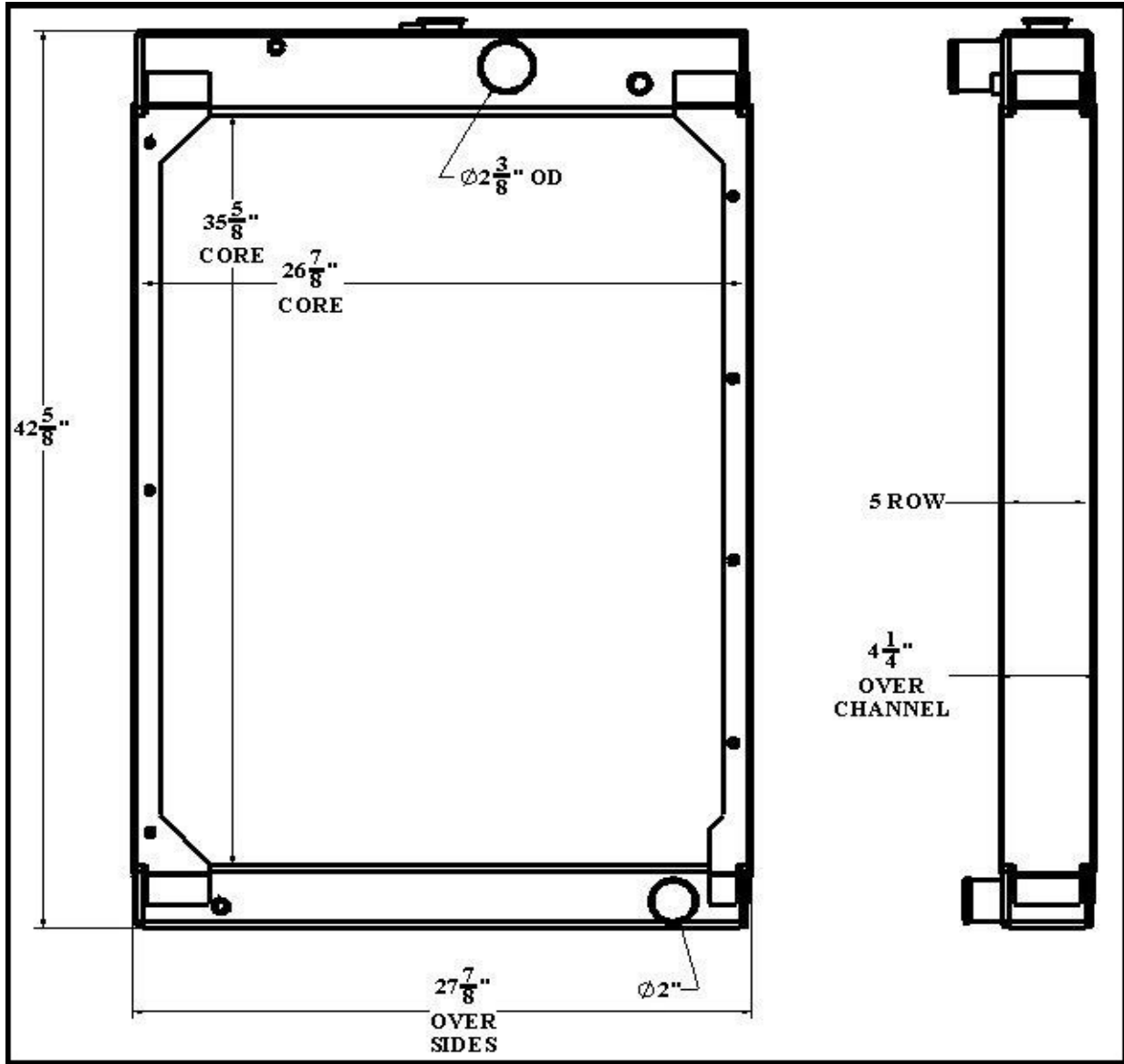


BGR Part Number: ST-0218-5EC-NC

GM47124-RADIATOR



Overall Dimensions: $42\frac{5}{8}$ " X $27\frac{7}{8}$ " X $4\frac{1}{4}$ "

Core: $35\frac{5}{8}$ " X $26\frac{7}{8}$ " X 5 ROW

Inlet: $2\frac{3}{8}$ " OD

Outlet: 2" OD