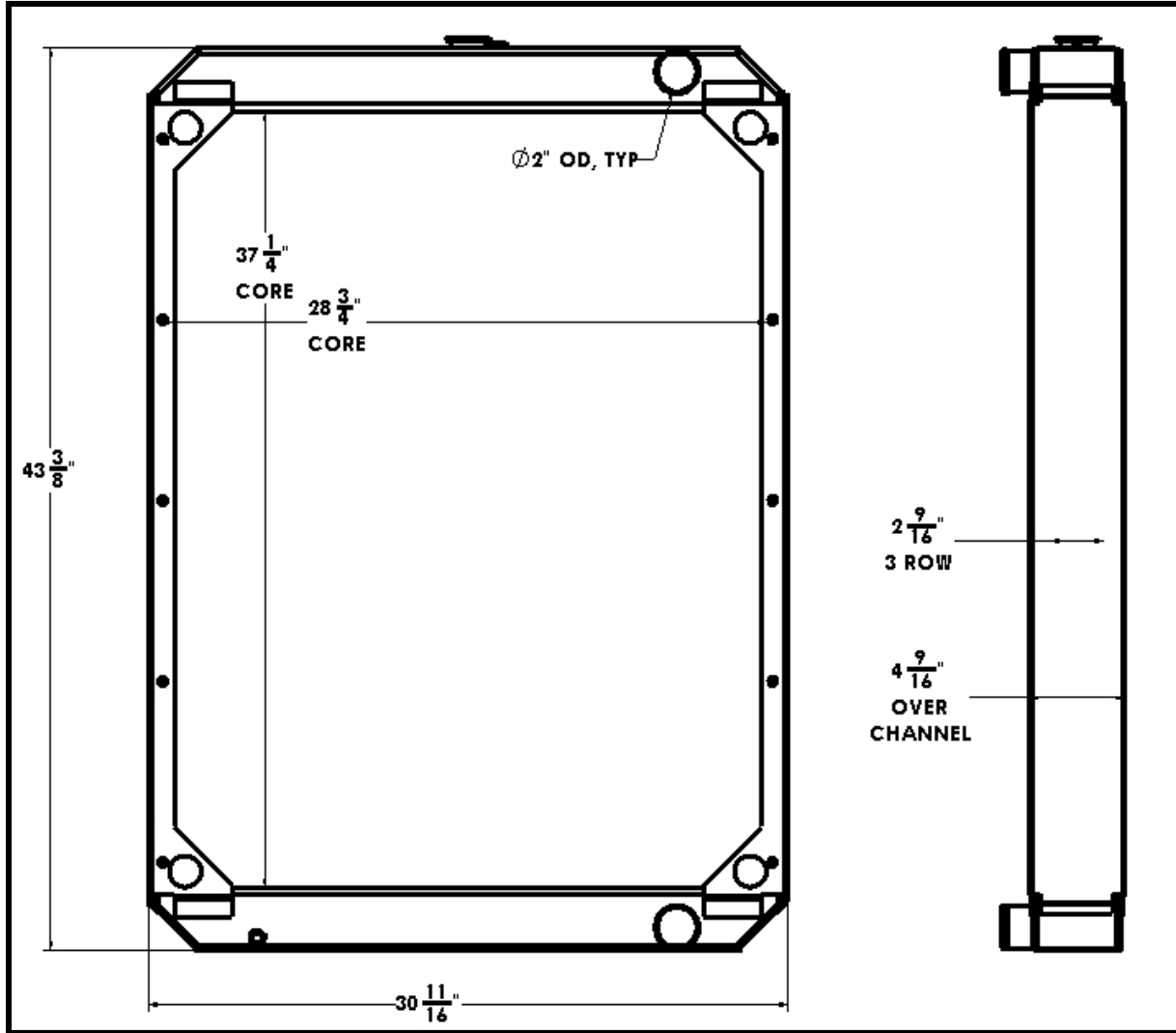


BGR Part Number: ST-0213-3VTX-NC

CATERPILLAR 325C



Overall Dimensions: 43-3/8" X 30-11/16" X 4-9/16"

Core: 37-1/4" X 28-3/4" X 3 ROW

Inlet: 2" OD

Outlet: 2" OD