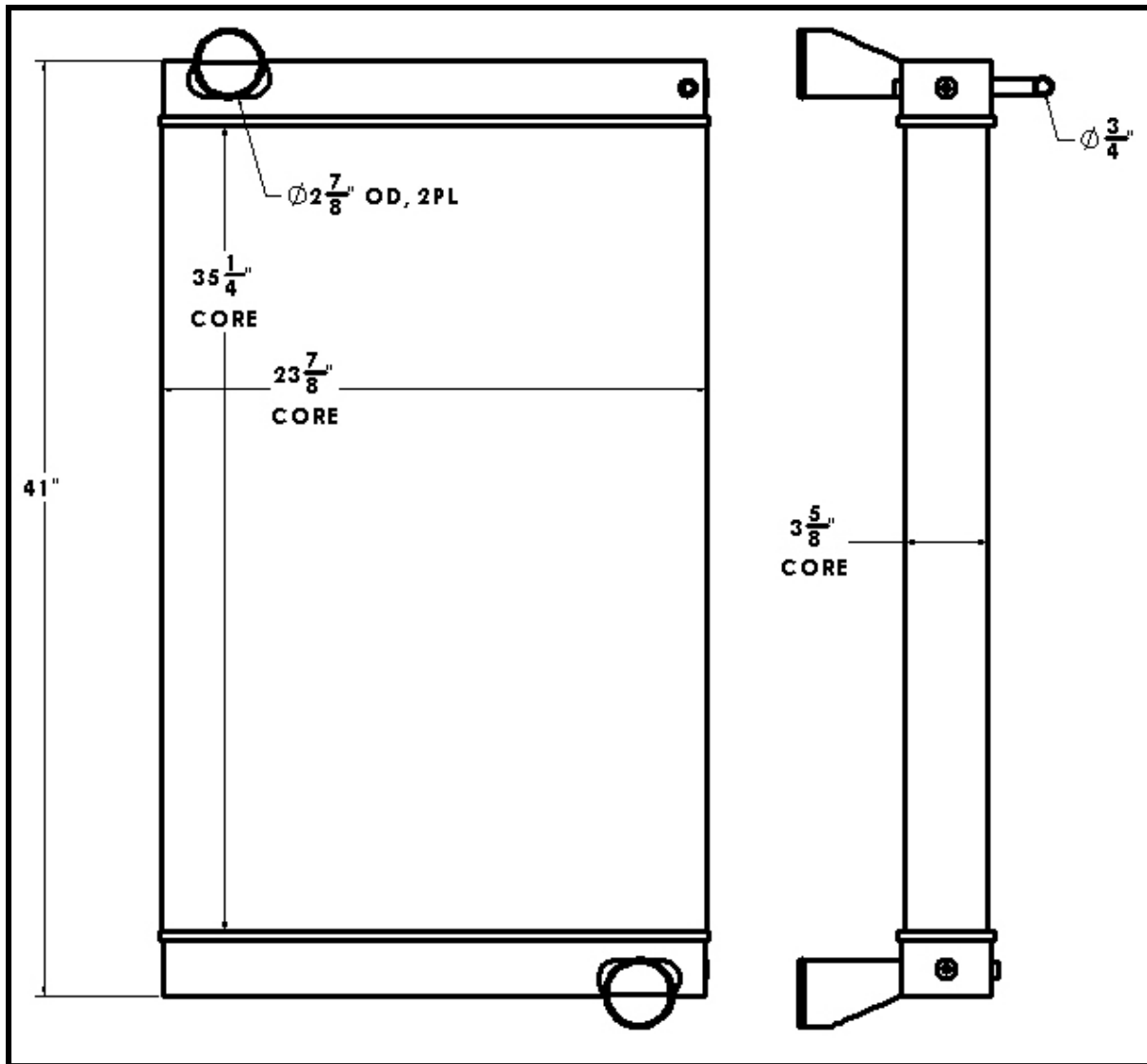


BGR Part Number: ST-0205-7I-EF



Overall Dimensions: 41" X 24" X 3-5/8"

Core: 35-1/4" X 23-7/8" X 7 ROW

Inlet: 2-7/8" OD

Outlet: 2-7/8" OD