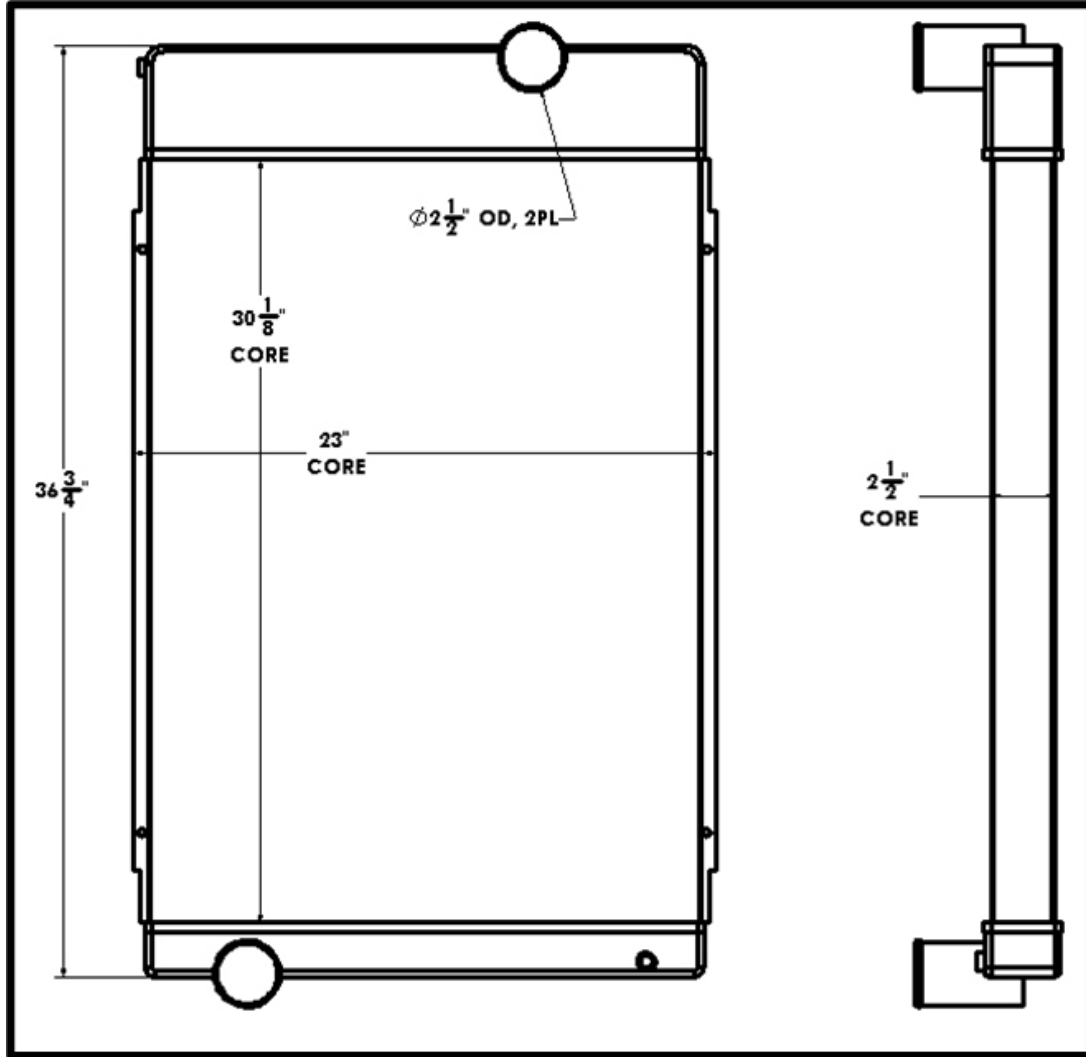


BGR Part Number: ST-0195-4RT-EF

3E0102450000



Overall Dimensions: 36-3/4" X 23" X 2-5/8"

Core: 30-1/8" X 23" X 4 ROW

Inlet: 2-1/2" OD

Outlet: 2-1/2" OD