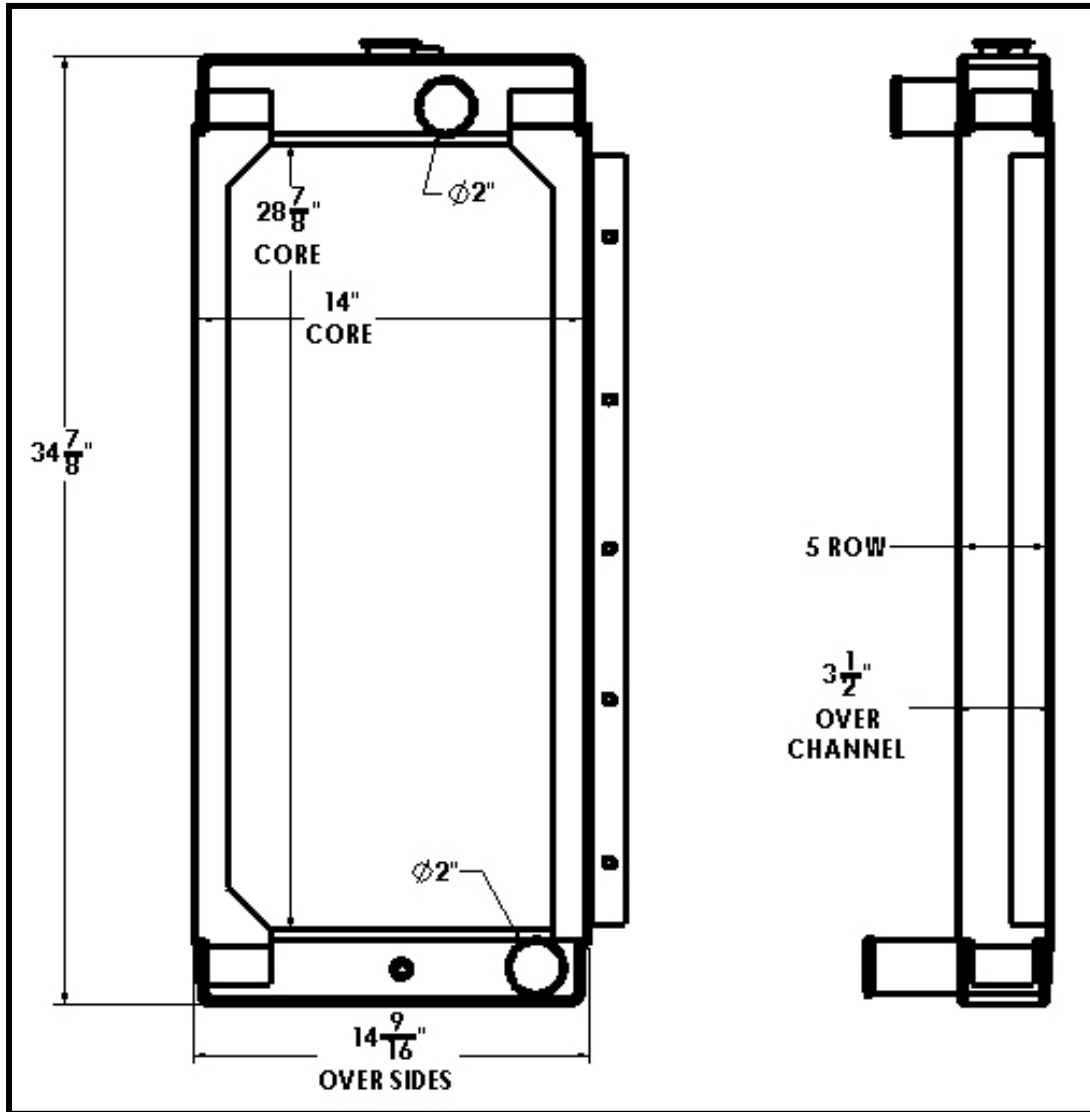


BGR Part Number: ST-0160-5I-NC

RS6474, APN 45-0491



Overall Dimensions: $34\frac{7}{8}$ " X $14\frac{9}{16}$ " X $3\frac{1}{2}$ "

Core: $28\frac{7}{8}$ " X 14" X 5 ROW

Inlet: 2" OD

Outlet: 2" OD