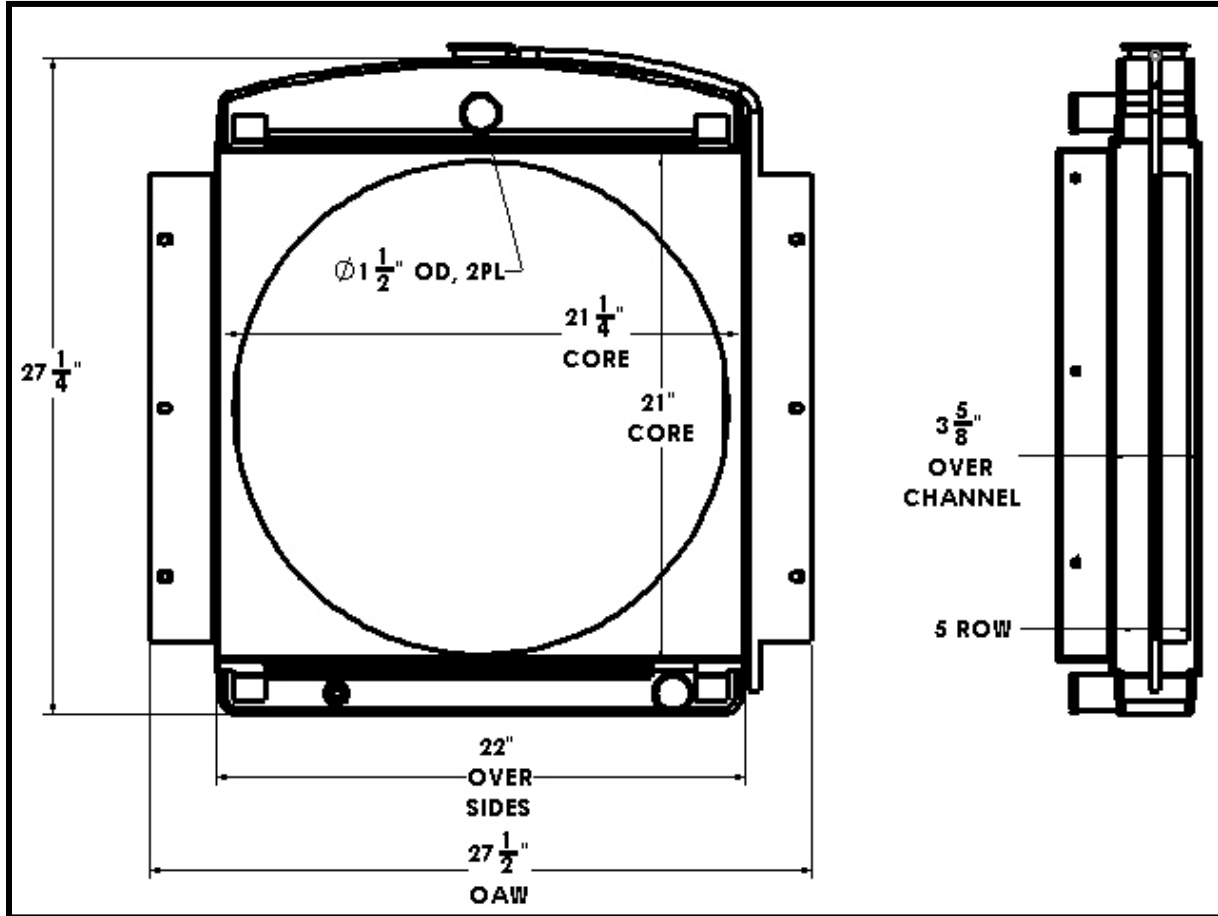


BGR Part Number: ST-0142-5I-F

ONAN PART NUMBER 130-1238



Overall Dimensions: $27\frac{1}{4}"$ X $22"$ X $3\frac{5}{8}"$

Core: $21"$ X $21\frac{1}{4}"$ X 5 ROW

Inlet: $1\frac{1}{2}"$ OD

Outlet: $1\frac{1}{2}"$ OD