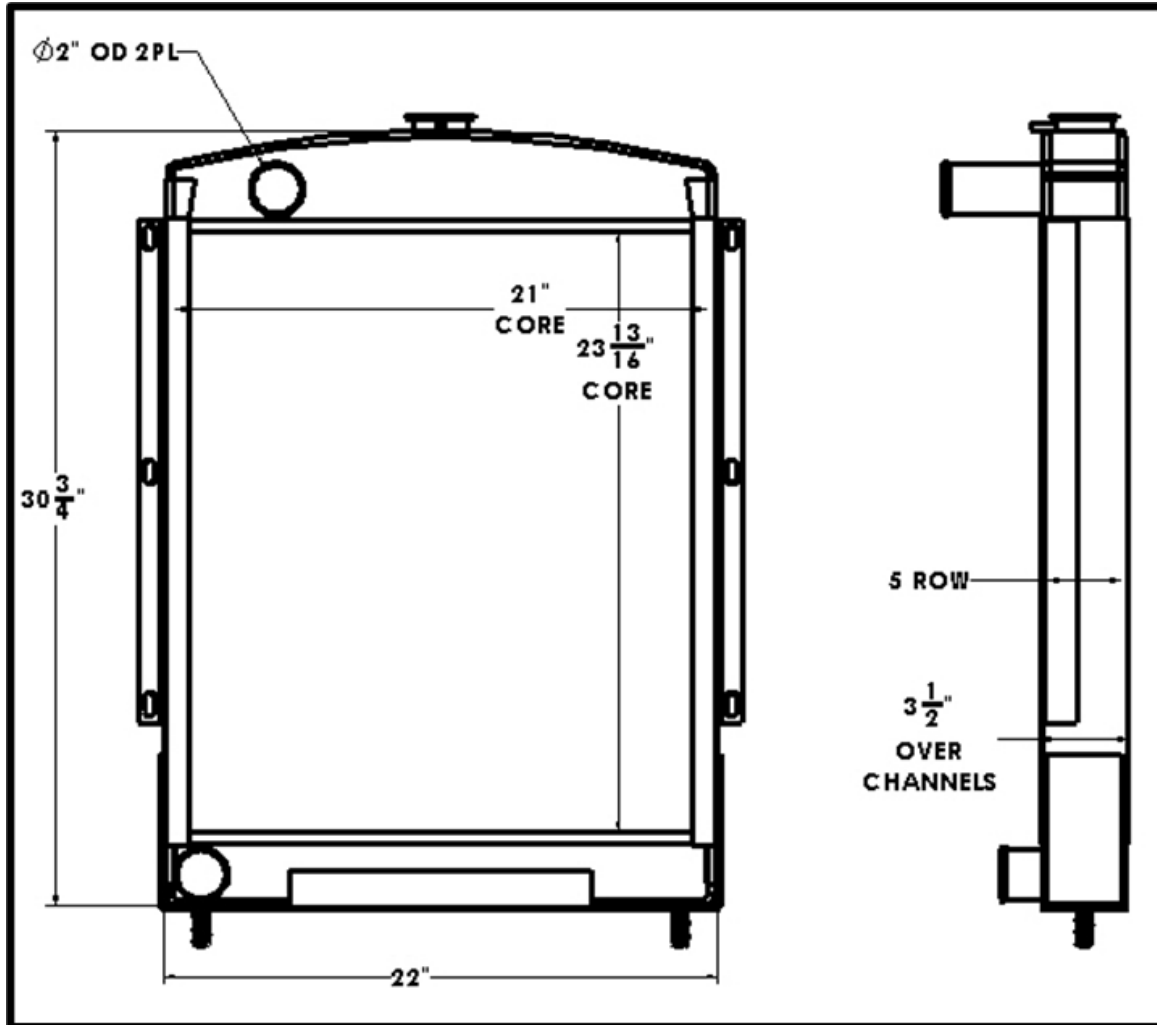


BGR Part Number: ST-0136-5I-F

A-279028



Overall Dimensions: $30\frac{3}{4}$ " X 22" X $3\frac{1}{2}$ "

Core: $23\frac{13}{16}$ " X 21" X 5 ROW

Inlet: 2" OD

Outlet: 2" OD