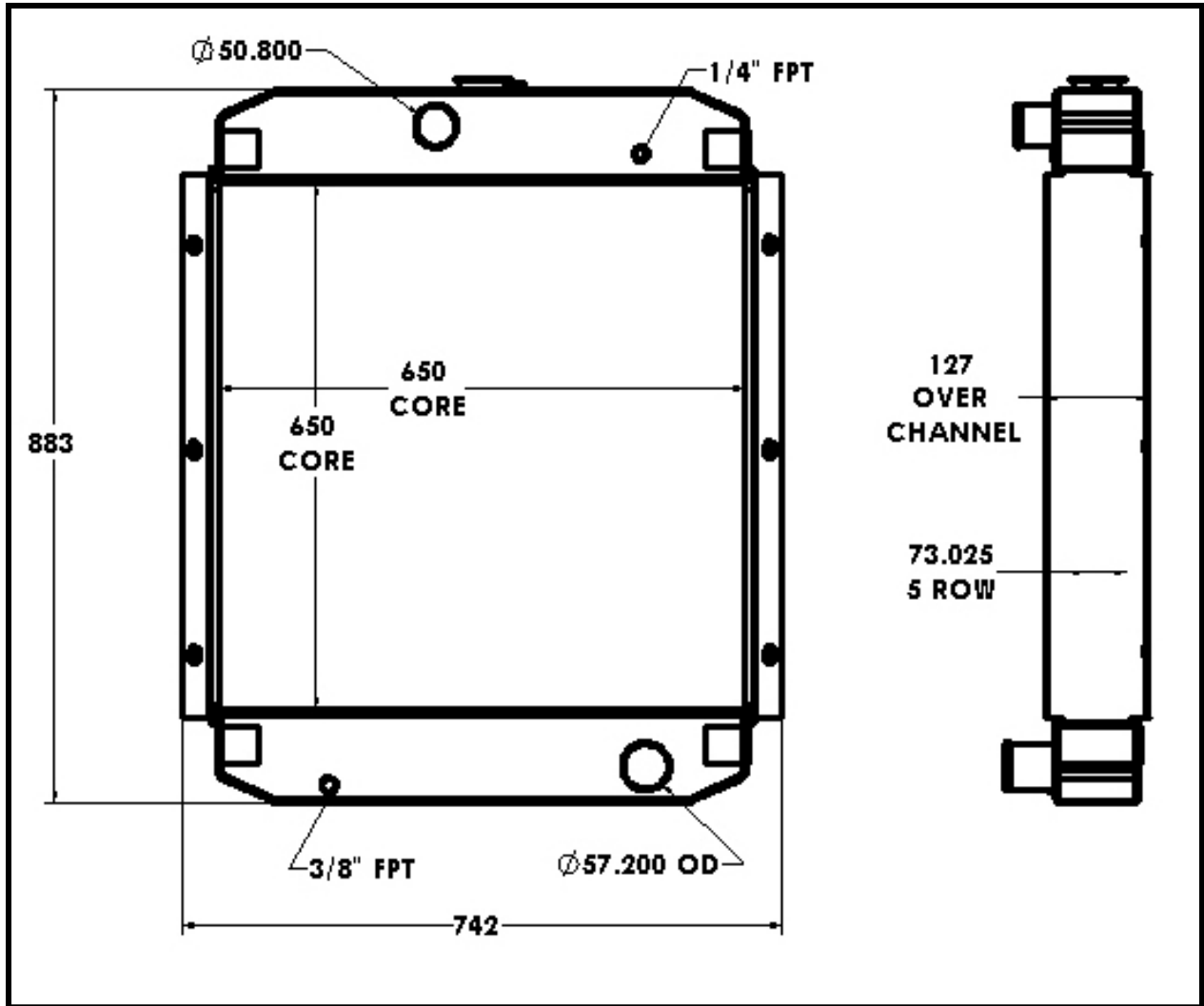


BGR Part Number: ST-0109-5I-F

ONAN PART NUMBER 130-4596



Overall Dimensions: 883MM X 742MM X 127MM

Core: 650MM X 650MM X 5 ROW

Inlet: 2" OD

Outlet: 2-1/4" OD