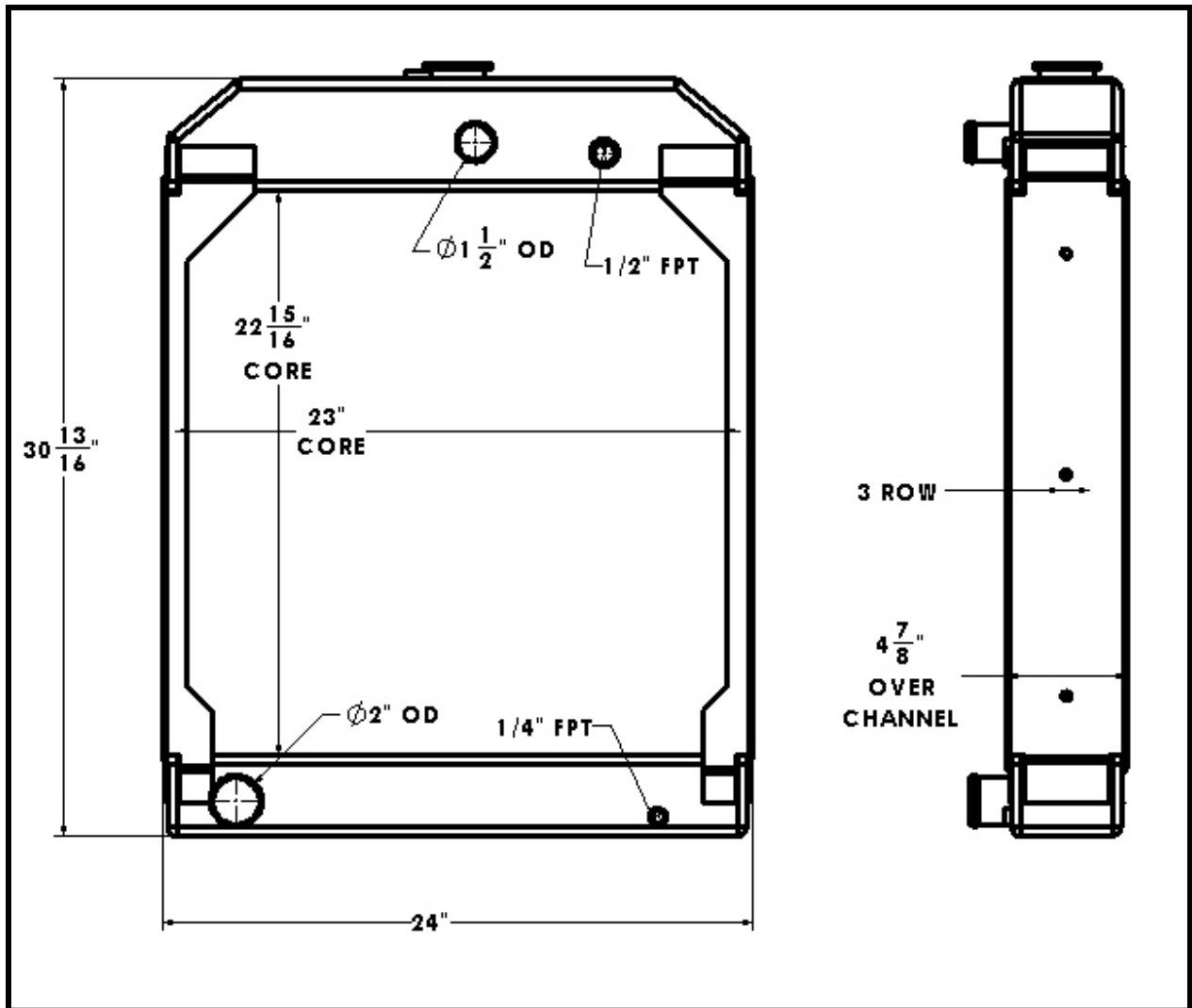


BGR Part Number: ST-0103-3I-NC



Overall Dimensions: $30 \frac{13}{16}$ " X 24" X $4 \frac{7}{8}$ "

Core: $22 \frac{15}{16}$ " X 23" X 3 ROW

Inlet: $1 \frac{1}{2}$ " OD

Outlet: 2" OD