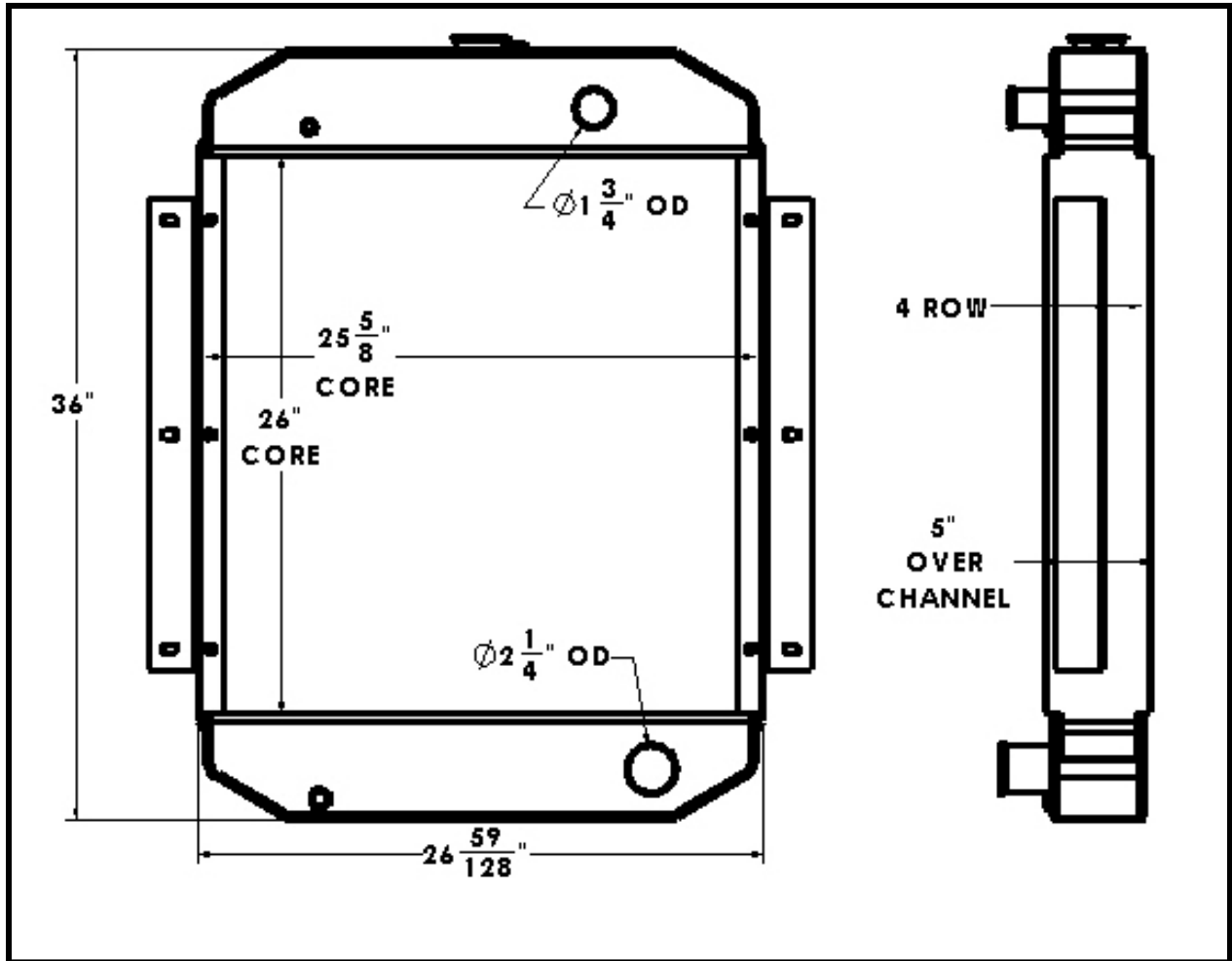


BGR Part Number: ST-0094-4I-F

ONAN PART NUMBER 130-3792



Overall Dimensions: 36" X $26 \frac{59}{128}$ " X 5"

Core: 26" X $25 \frac{5}{8}$ " X 4 Row

Inlet: $1 \frac{3}{4}$ " OD

Outlet: $2 \frac{1}{4}$ " OD