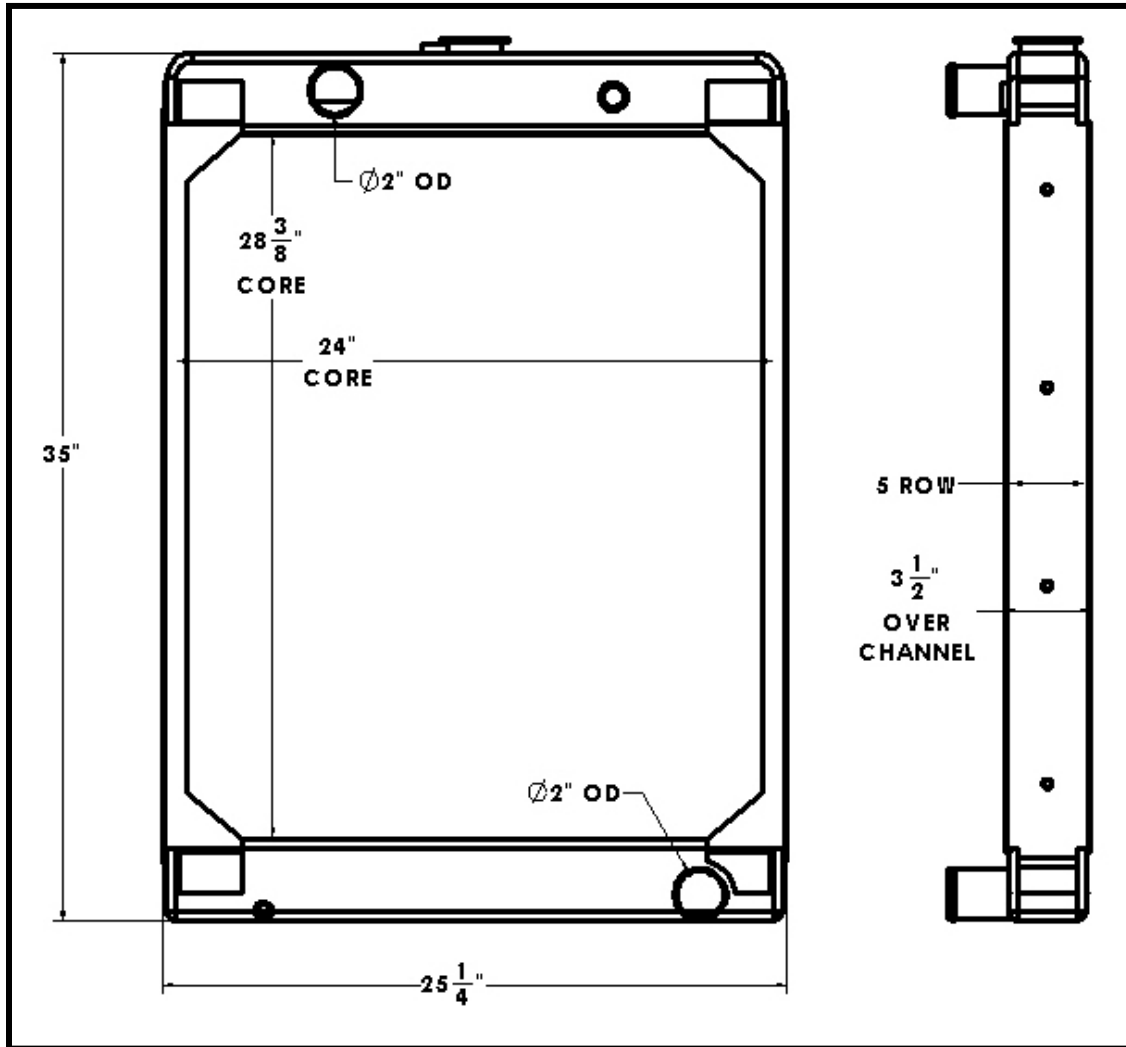


BGR Part Number: ST-0089-5R-NC

MODINE 1A18653, GM 14096



Overall Dimensions: 35" X 25-1/4" X 3-1/2"

Core: 28-3/8" X 24" X 5 Row

Inlet: 2" OD

Outlet: 2" OD