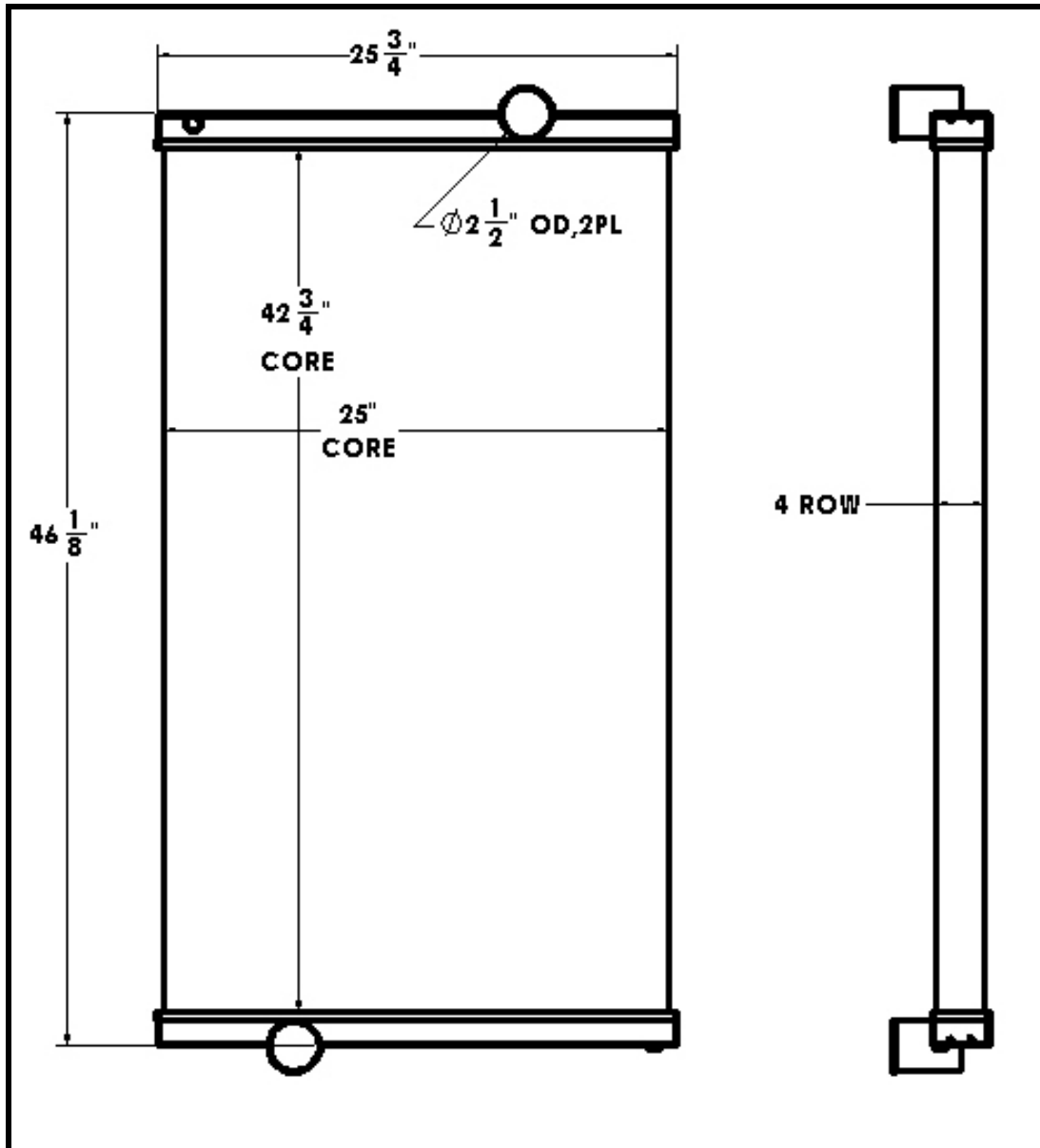


BGR Part Number: ST-0085-4R-EF

GM11650, GM52736 (REV A)

SEE BGR BT-0086-5I FOR REV C



Overall Dimensions: $46\frac{1}{8}$ " X $25\frac{3}{4}$ "

Core: $42\frac{3}{4}$ " X 25" X 4 Row

Inlet: $2\frac{1}{2}$ " OD

Outlet: $2\frac{1}{2}$ " OD