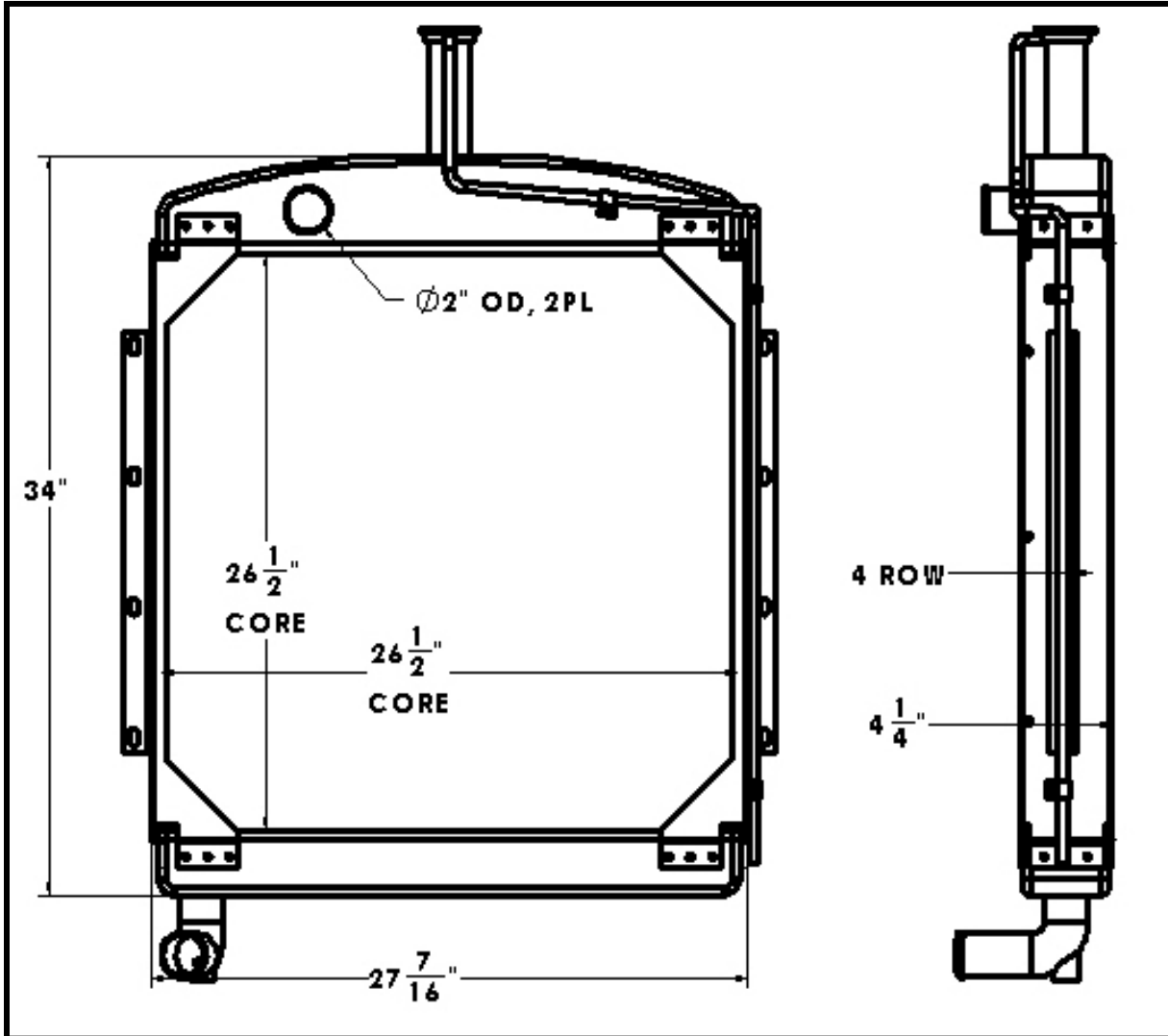


BGR Part Number: ST-0067-4R-F

ONAN Part Number: 130-0961-L



Overall Dimensions: 34" X 27-7/16" X 4-1/4"

Core: 26-1/2" X 26-1/2" X 4 Row

Inlet: 2" OD

Outlet: 2" OD