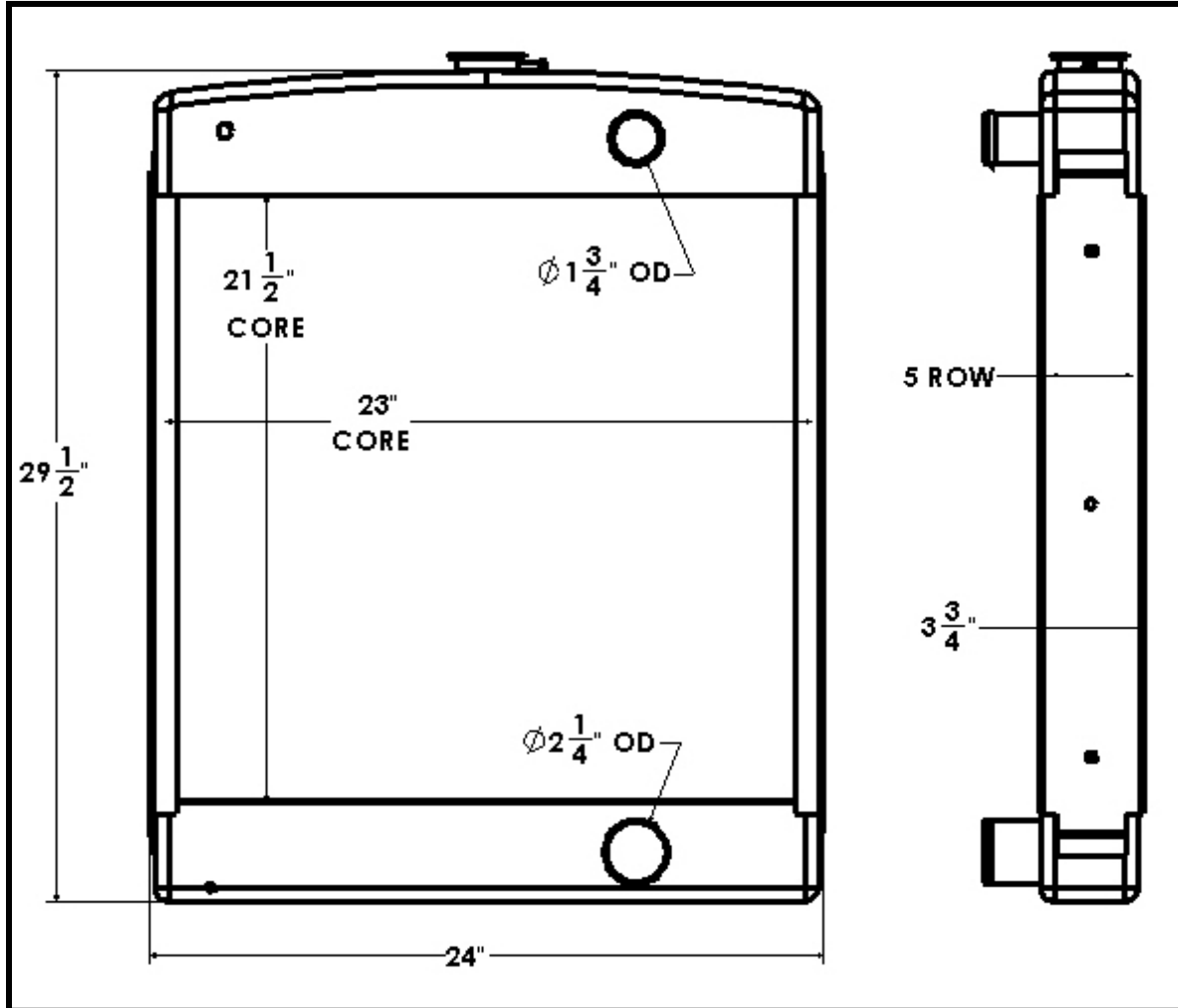


BGR Part Number: ST-0059-5R-NC



Overall Dimensions: 29-1/2" X 24" X 3-3/4"

Core: 21-1/2" X 23" X 5 Row

Inlet: 1-3/4" OD

Outlet: 2-1/4" OD