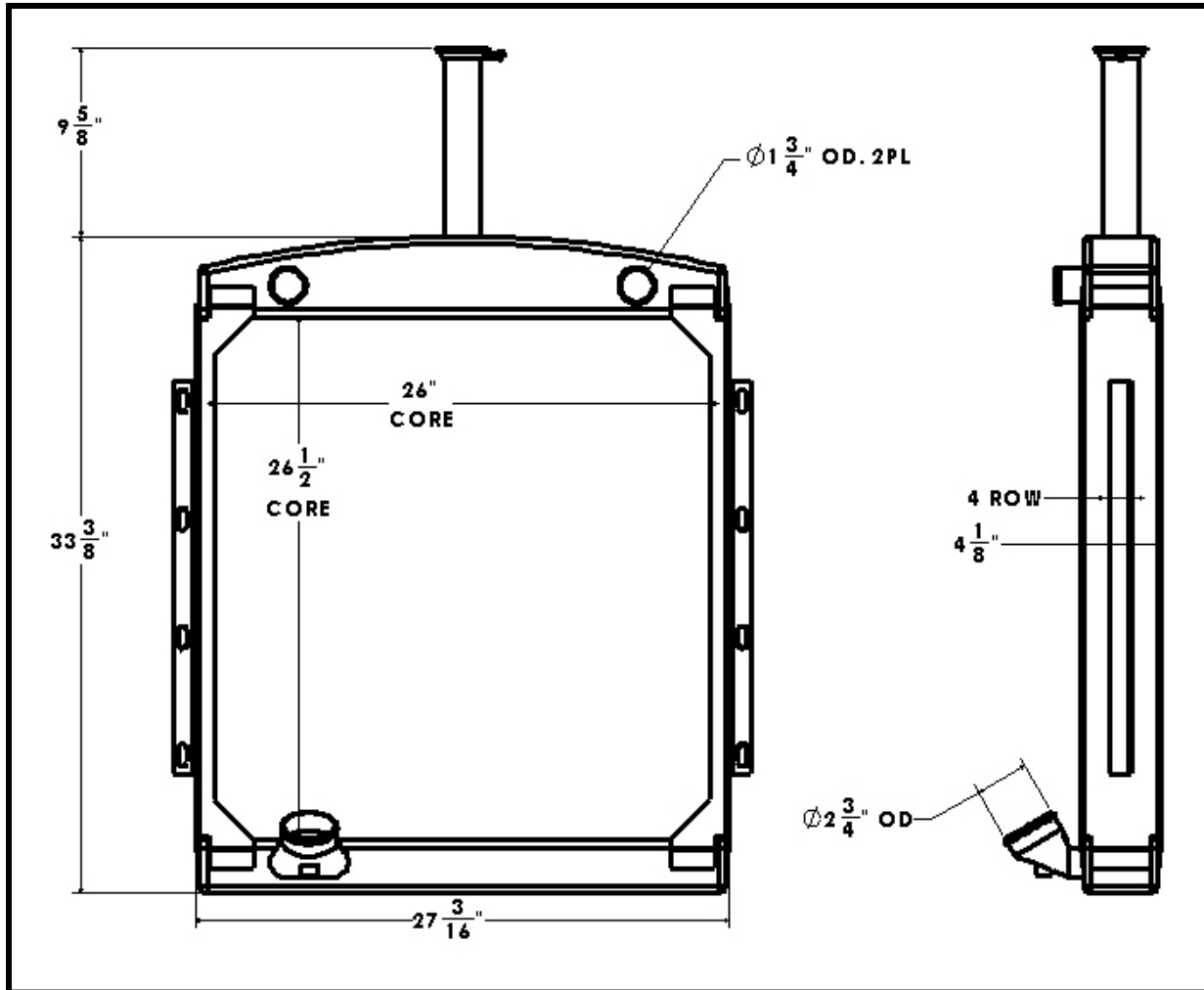


BGR Part Number: ST-0054-4R-F



Overall Dimensions: $33\text{-}3/8$ " X $27\text{-}3/16$ " X $4\text{-}1/8$ "

Core: $26\text{-}1/2$ " X 26 " X 4 Row

Inlet: $1\text{-}3/4$ " OD (2 Places)

Outlet: $2\text{-}3/4$ " OD