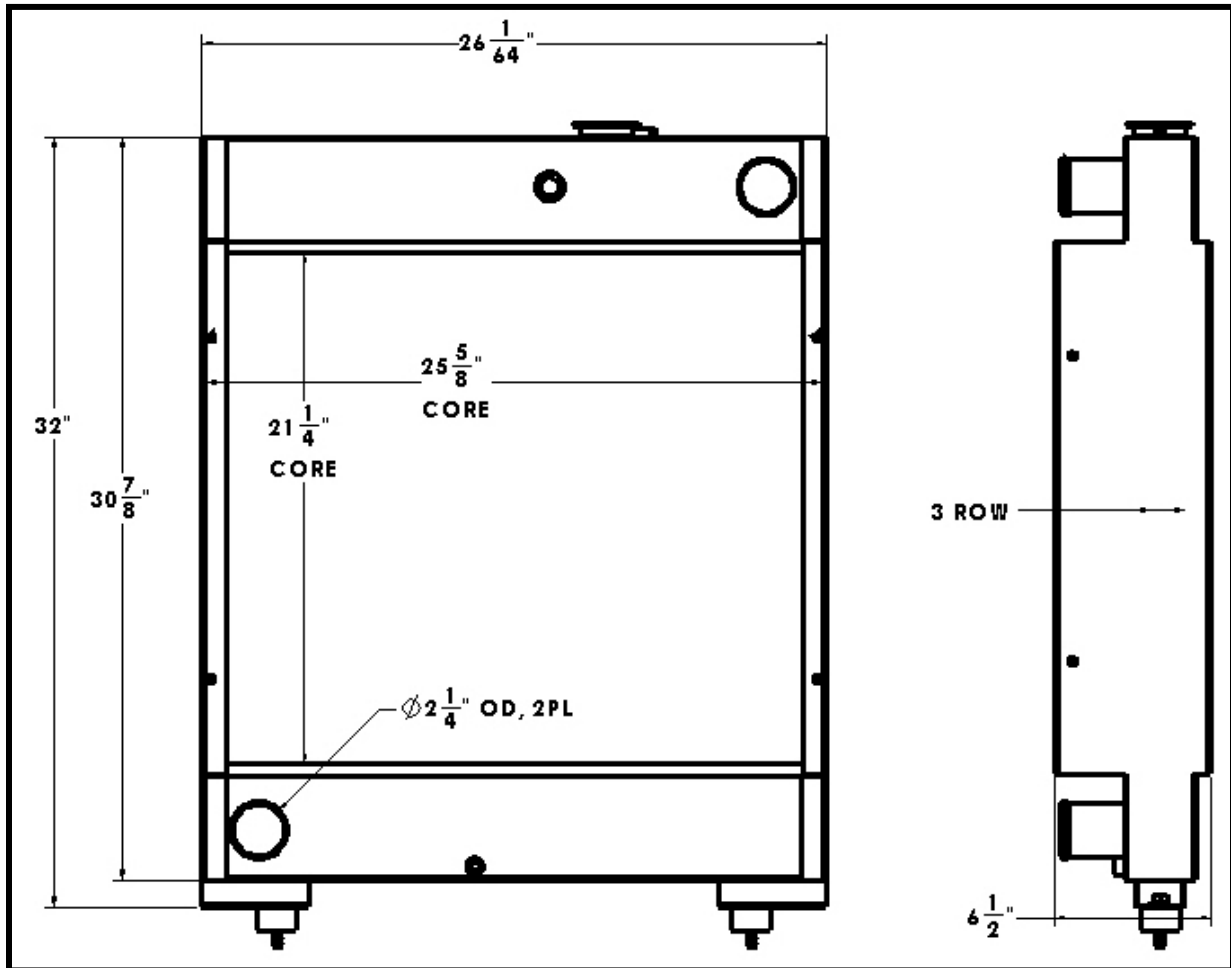


BGR Part Number: ST-0039-3VT-EF



Overall Dimensions: $30\text{-}7/8$ " X $26\text{-}1/64$ " X $6\text{-}1/2$ "

Core: $21\text{-}1/4$ " X $25\text{-}5/8$ " X 3 Row

Inlet: $2\text{-}1/4$ " OD

Outlet: $2\text{-}1/4$ " OD