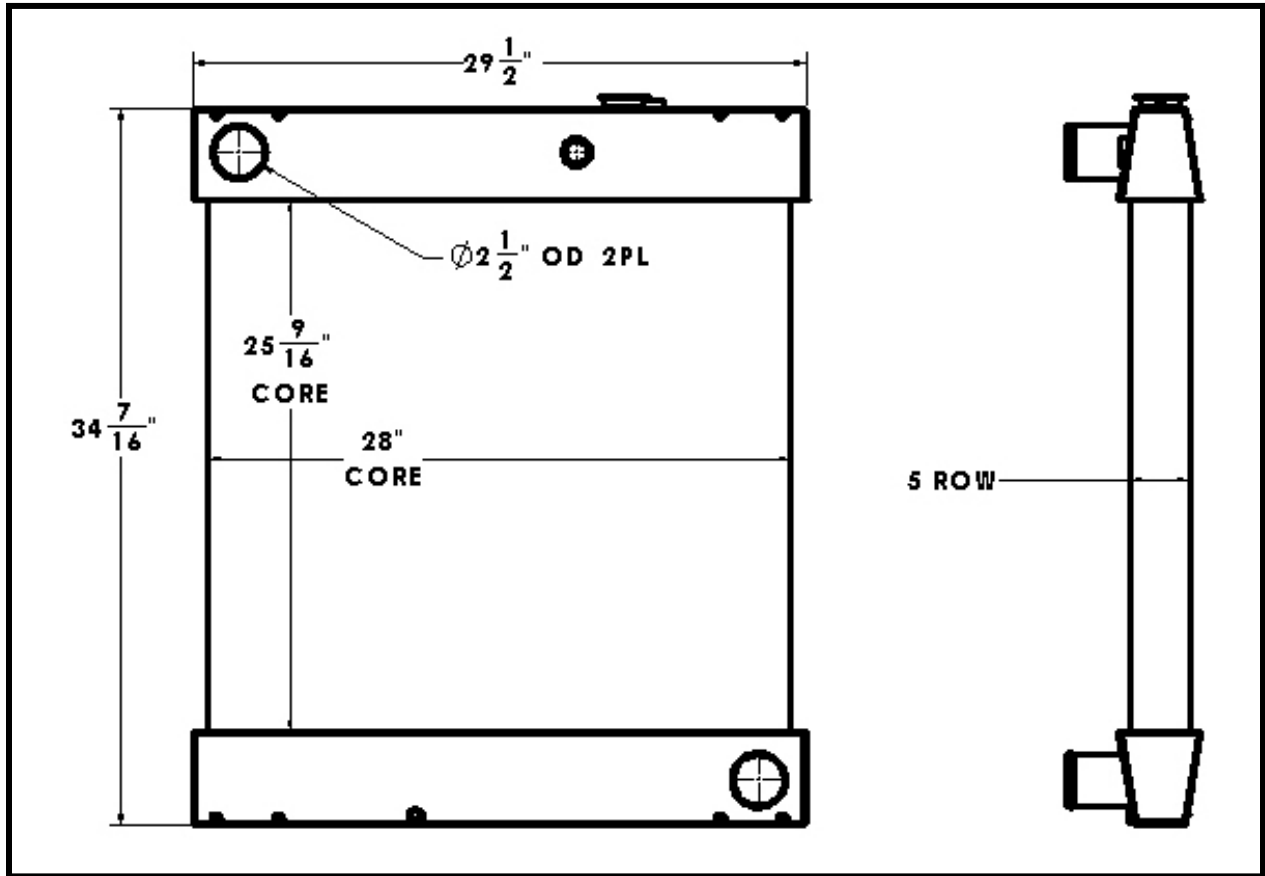


BGR Part Number: ST-0036-5R-EF



Overall Dimensions:  $34 \frac{7}{16}$ " X  $29 \frac{1}{2}$ " X 4" (Header)

Core:  $25 \frac{9}{16}$ " X 28" X 5 Row

Inlet:  $2 \frac{1}{2}$ " OD

Outlet:  $2 \frac{1}{2}$ " OD