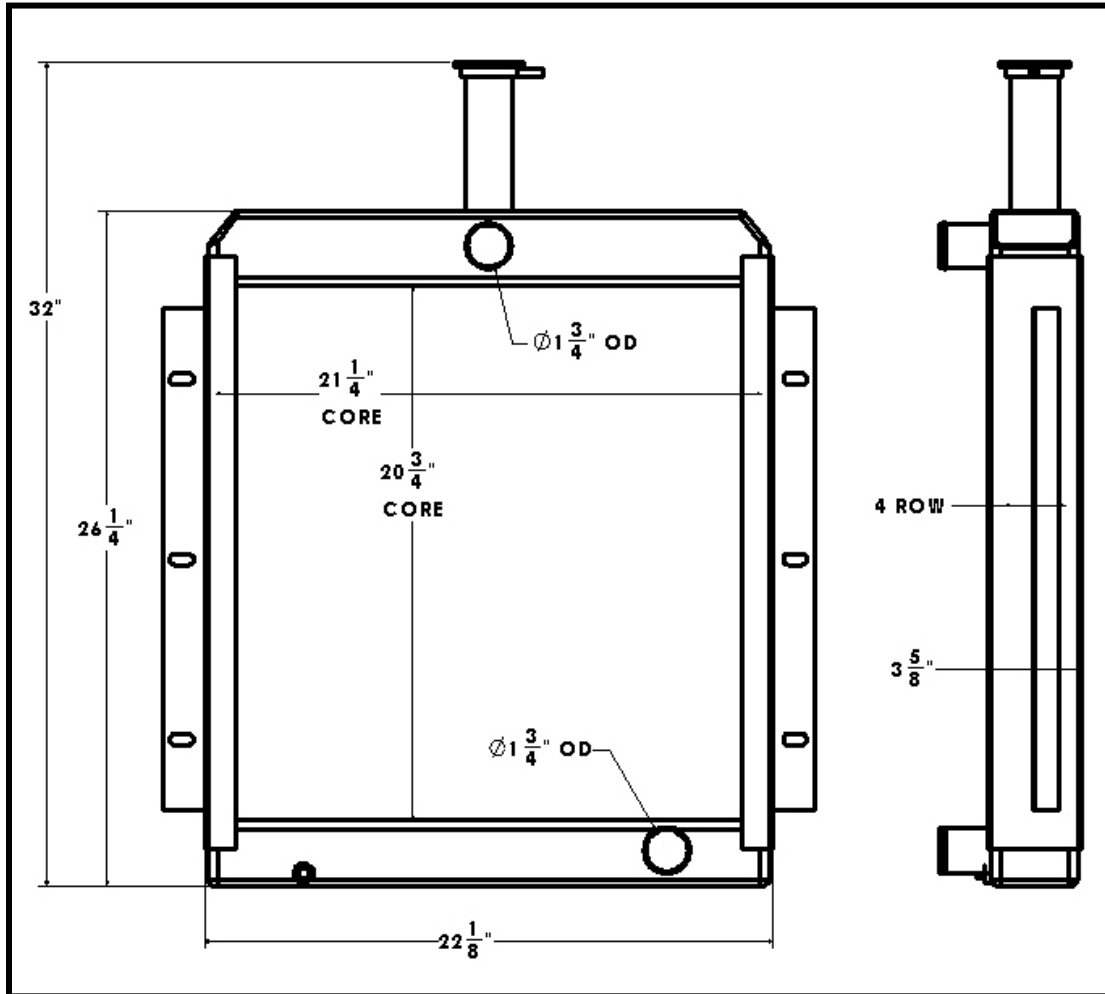


BGR Part Number: ST-0034-4I-F



Overall Dimensions: 26-1/4" X 22-1/8" X 3-5/8"

Core: 20-3/4" X 21-1/4" X 4 Row

Inlet: 1-3/4" OD

Outlet: 1-3/4" OD