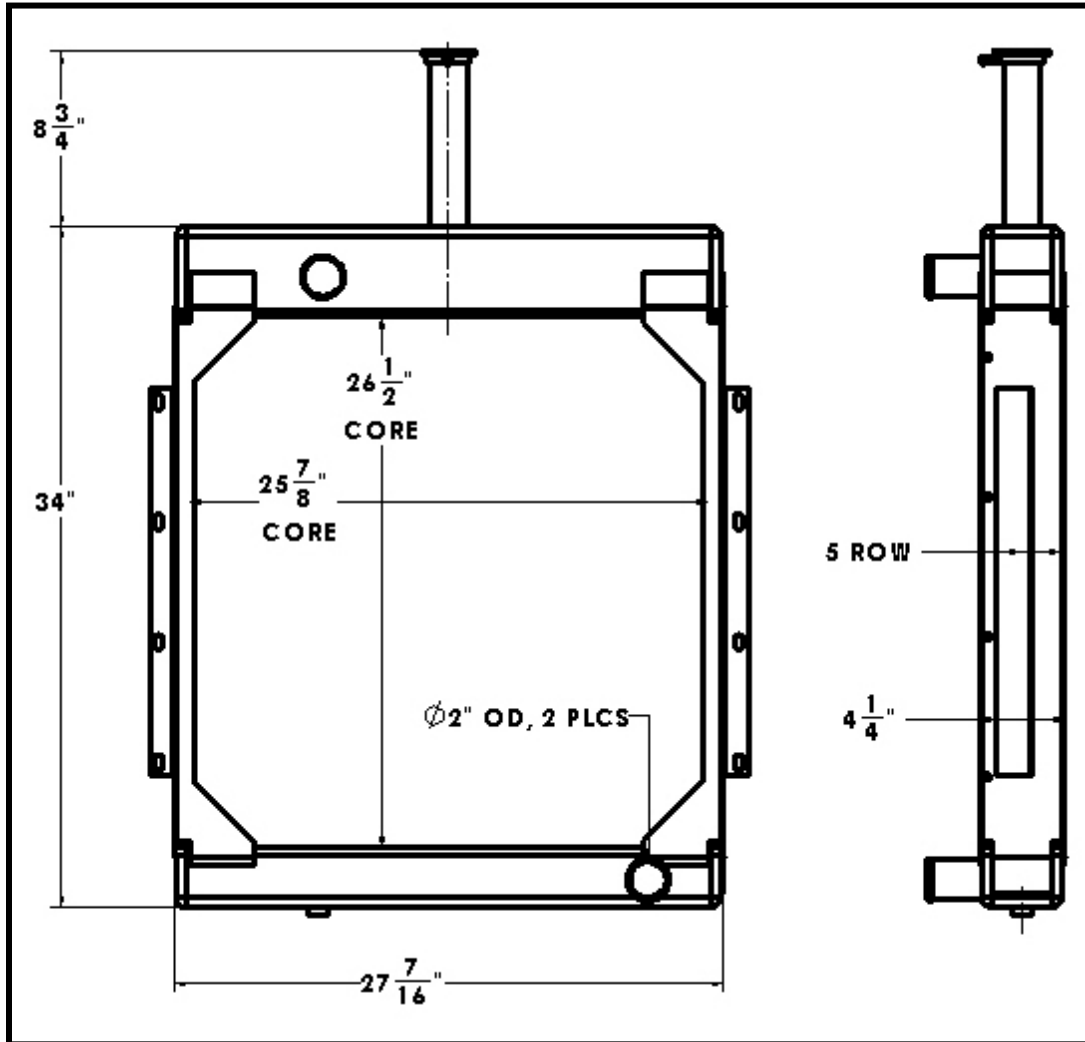


BGR Part Number: ST-0032-5R-F

OEM: ONAN Part Number 130-0809



Overall Dimensions: 34" X 27-7/16" X 4-1/4"

Core: 26-1/2" X 25-7/8" X 5 Row

Inlet: 2" OD

Outlet: 2" OD