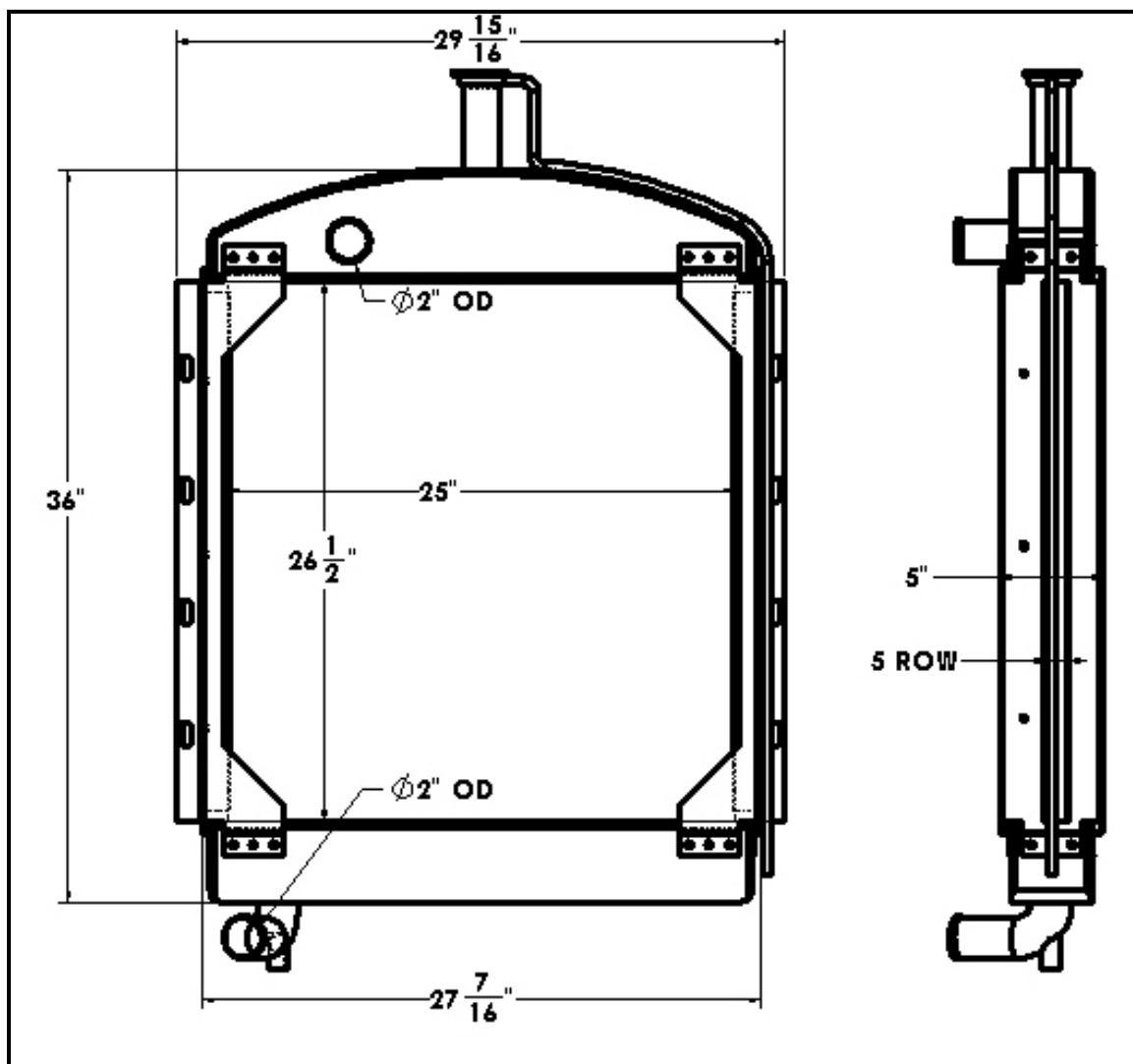


BGR Part Number: ST-0023-5R-F

ONAN PART NUMBER 130-1611



Overall Dimensions: 36" X 27-7/16" X 5"

Core: 26-1/2" X 25" X 5 ROW

Inlet: 2" OD

Outlet: 2" OD