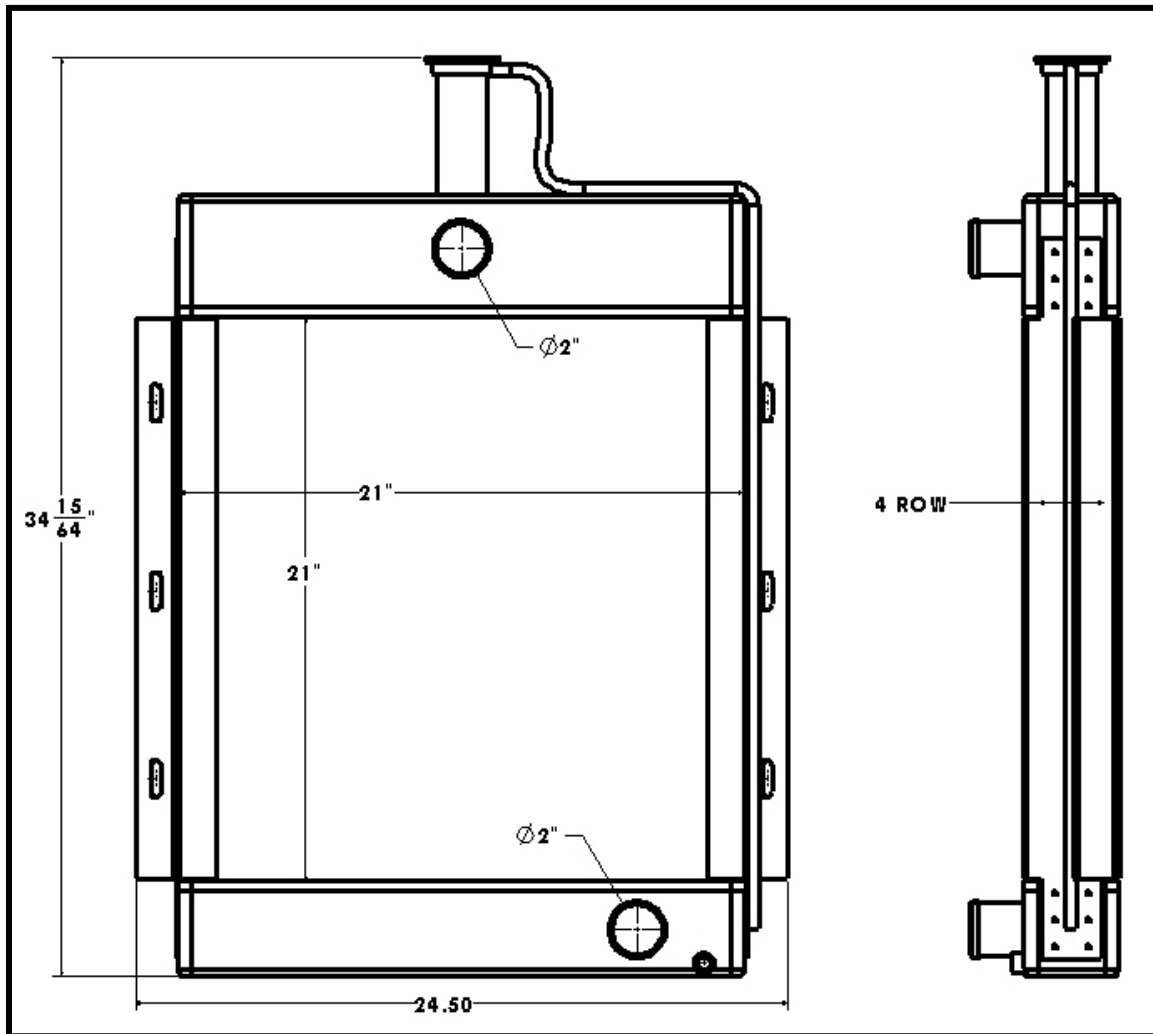


BGR Part Number: ST-0021-4R-F

OEM: ONAN 45kw



Overall Dimensions: 29-1/8" X 21-1/4" X 3-5/8"

Core: 21" X 21" X 4 Row

Inlet: 2" OD

Outlet: 2" OD