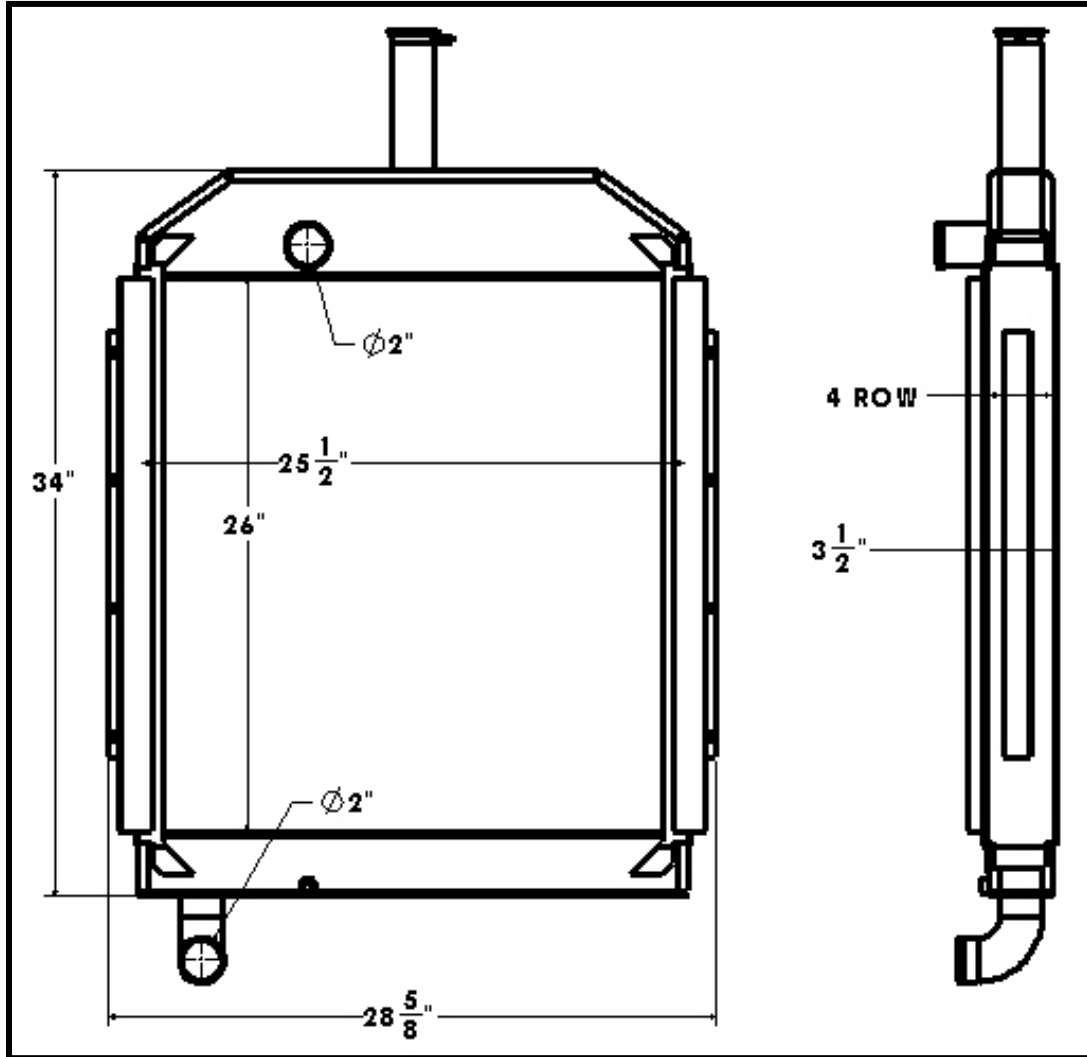


BGR Part Number: ST-0012-4L-FM



Overall Dimensions: 34" X 28-5/8" X 3-1/2"

Core: 26" X 25-1/2" X 4 Row

Inlet: 2" OD

Outlet: 2" OD