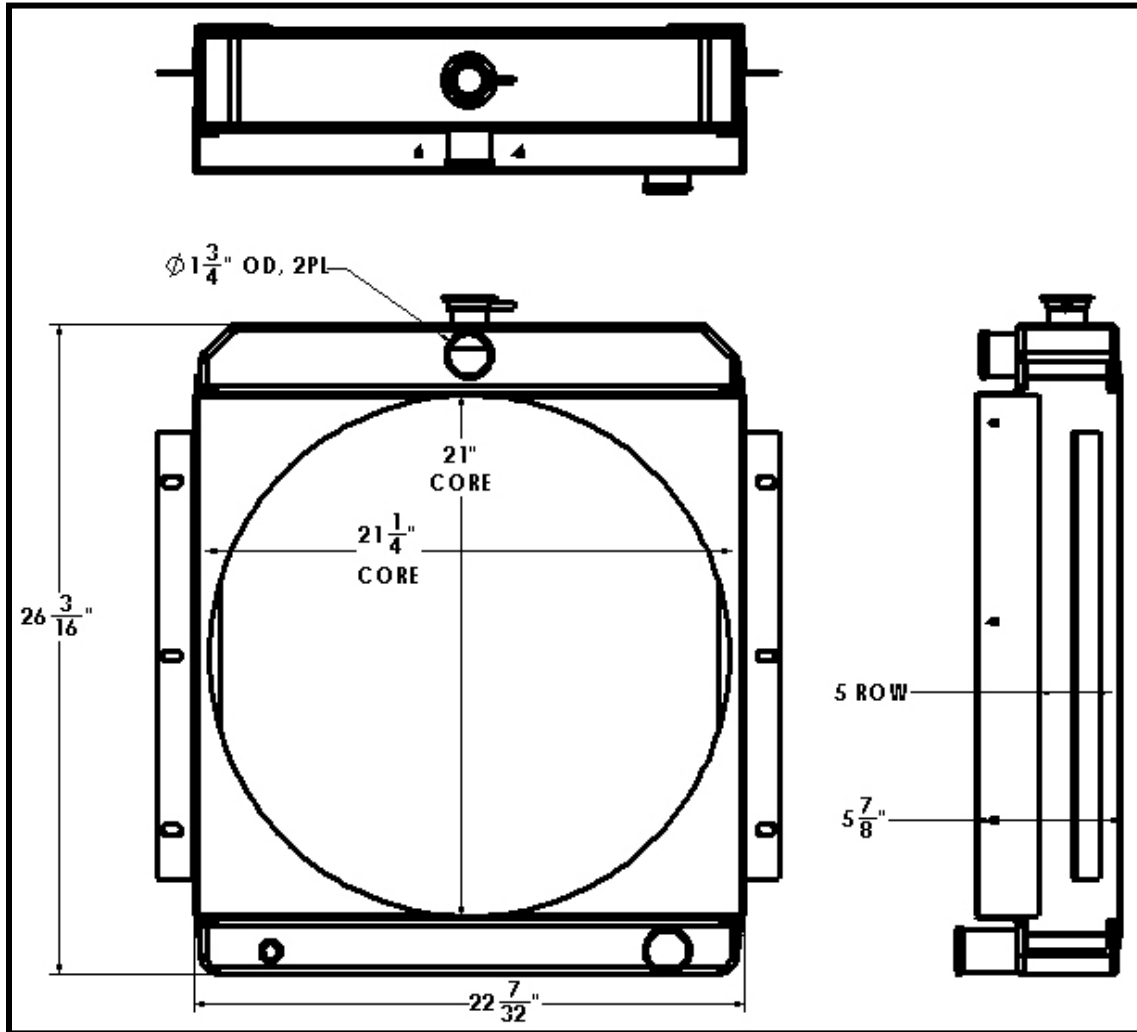


BGR Part Number: ST-0006-5R-F

ONAN PART NUMBER 130-3158



Overall Dimensions: 26-3/16" X 22-7/32" X 5-7/8"

Core: 21" X 21-1/4" X 5 Row

Inlet: 1-3/4" OD

Outlet: 1-3/4" OD