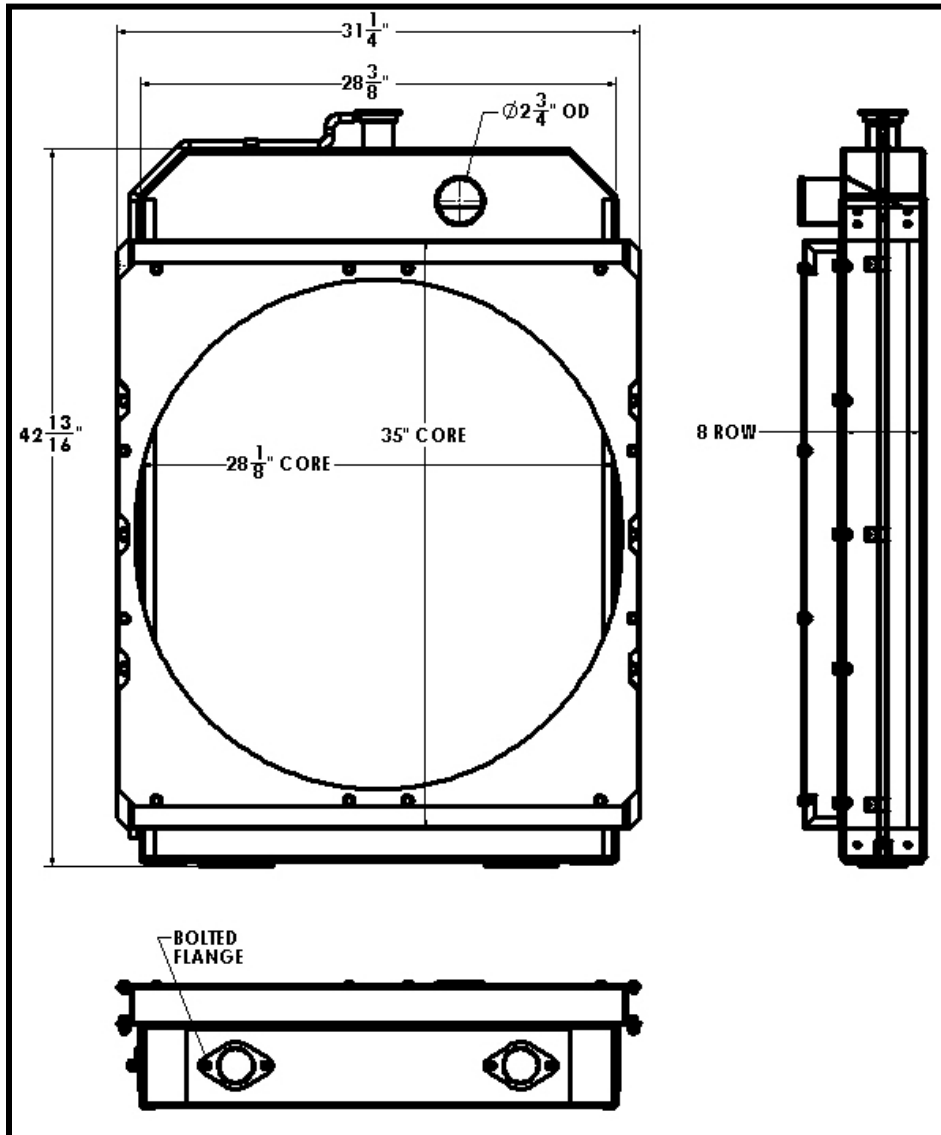


BGR Part Number: ST-0005-8R-FM

OEM: YT 304572



Overall Dimensions:  $42\text{-}13/16"$  X  $31\text{-}1/4"$  X  $7\text{-}1/16"$

Core:  $35"$  X  $28\text{-}1/8"$  X 8 Row

Inlet:  $2\text{-}3/4"$  OD

Outlet: Bolted Flange (2 Places)

Available with or w/out Shroud