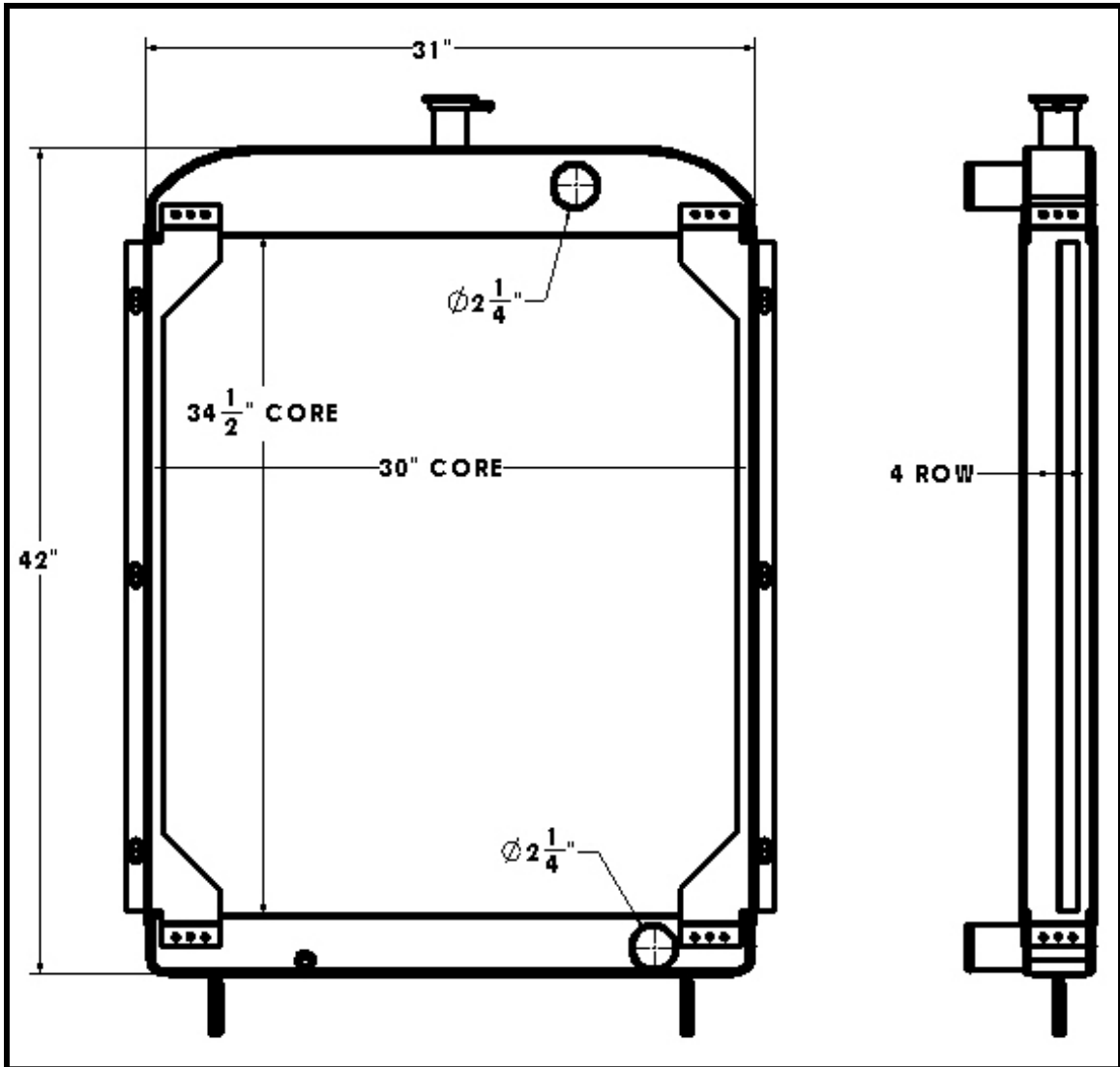


BGR Part Number: ST-0004-4R-FM



Overall Dimensions: 42" X 31" X 3-3/4"

Core: 34-1/2" X 30" X 4 Row

Inlet: 2-1/4" OD

Outlet: 2-1/4" OD