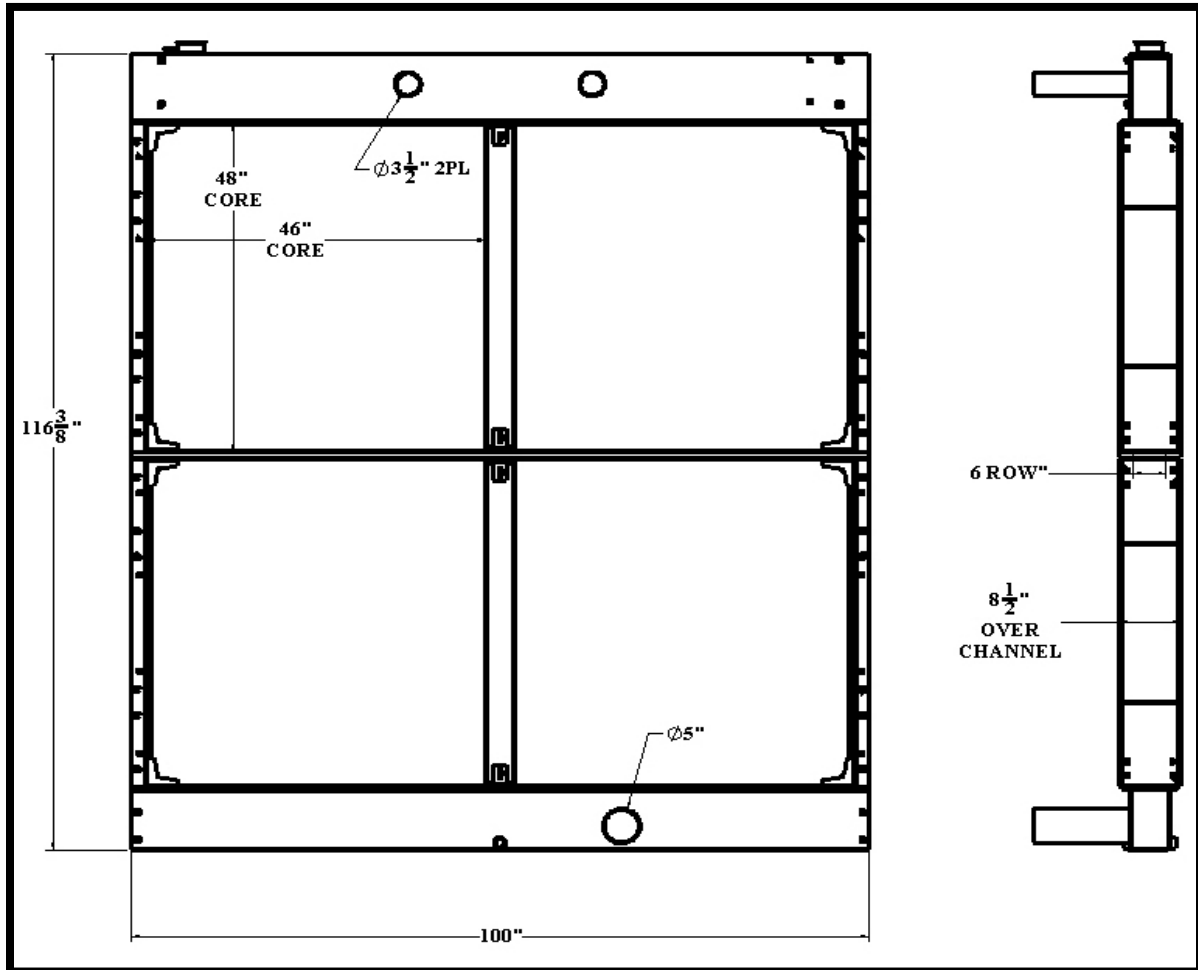


BGR Part Number: BT-0114-6Y

IEA ECO60581



Overall Dimensions:  $116\frac{3}{8}$ " X 100" X  $8\frac{1}{2}$ "

Core: 48" X 46" X 6 ROW

Inlet:  $3\frac{1}{2}$ " OD

Outlet: 5" OD