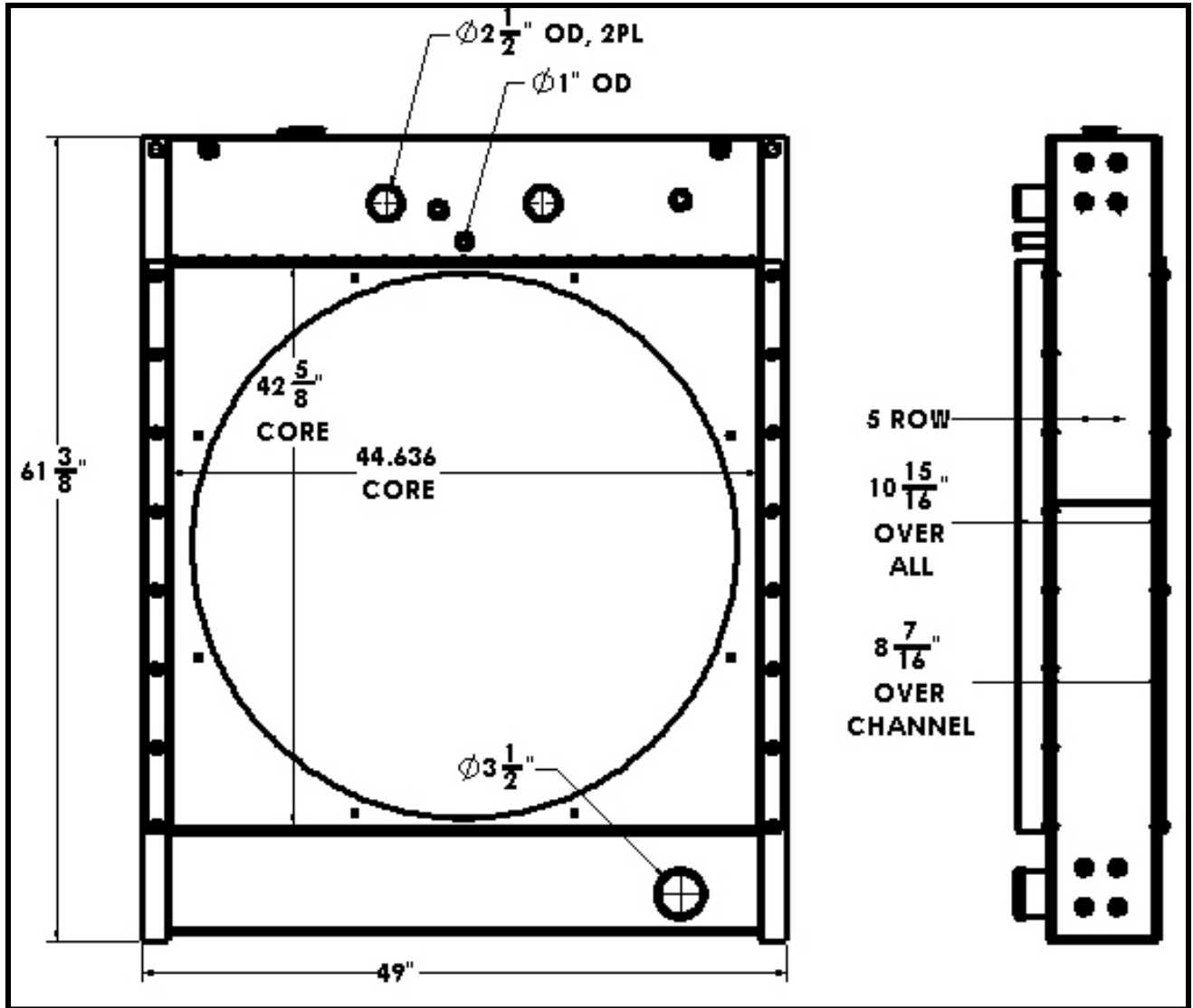


BGR Part Number: BT-0064-5Z

MODINE 1A11220D, M12 EF



Overall Dimensions: $61 \frac{3}{8}$ " X 49 " X $8 \frac{7}{16}$ "

Core: $42 \frac{5}{8}$ " X $44 \frac{1}{2}$ " X 5 Row

Inlet: $2 \frac{1}{2}$ " OD

Outlet: $3 \frac{1}{2}$ " OD