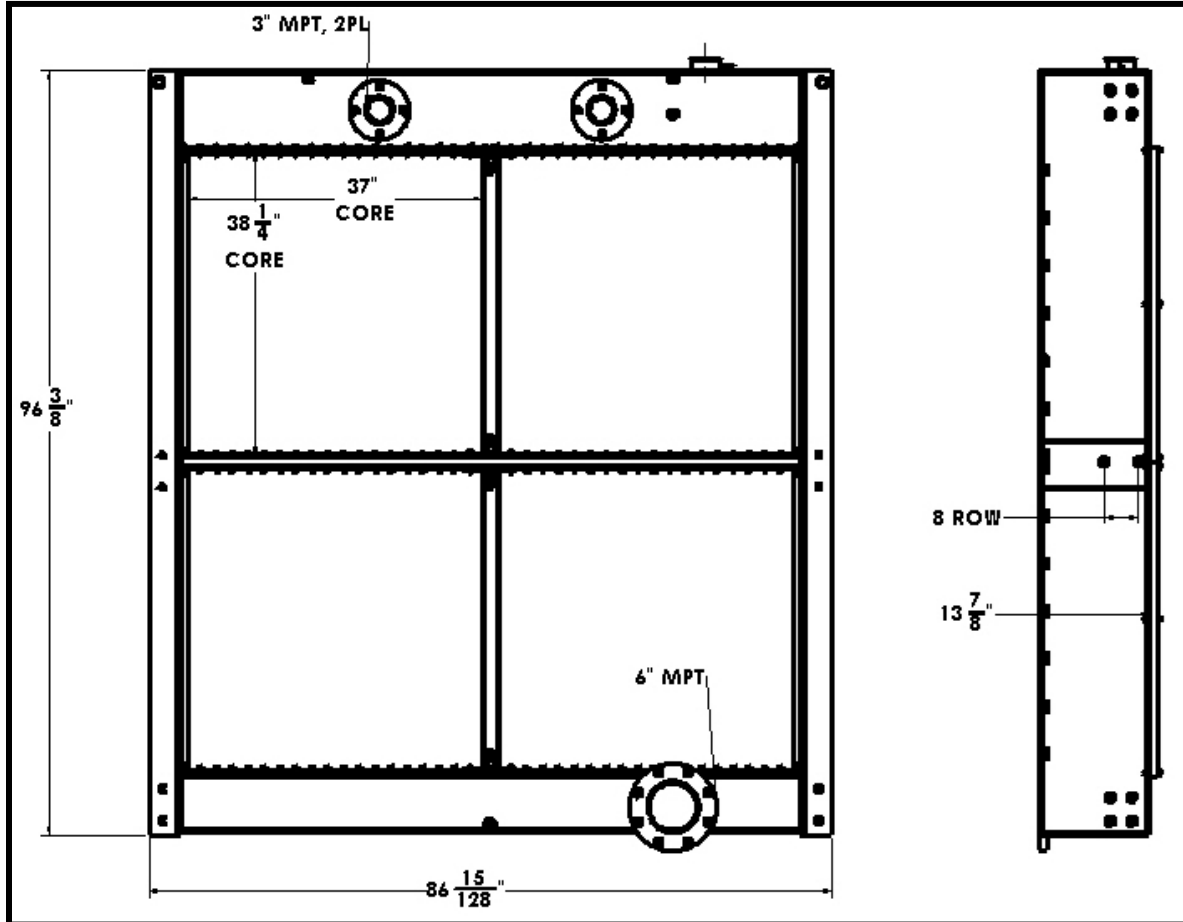


BGR Part Number: BT-0058-8I

M-40-EF, 1A11194



Overall Dimensions:  $96 \frac{3}{8}$ " X  $86 \frac{15}{128}$ " X  $13 \frac{7}{8}$ "

Core:  $38 \frac{1}{4}$ " X 37" X 8 Row

Inlet: 3" MPT, 2PL

Outlet: 6" MPT