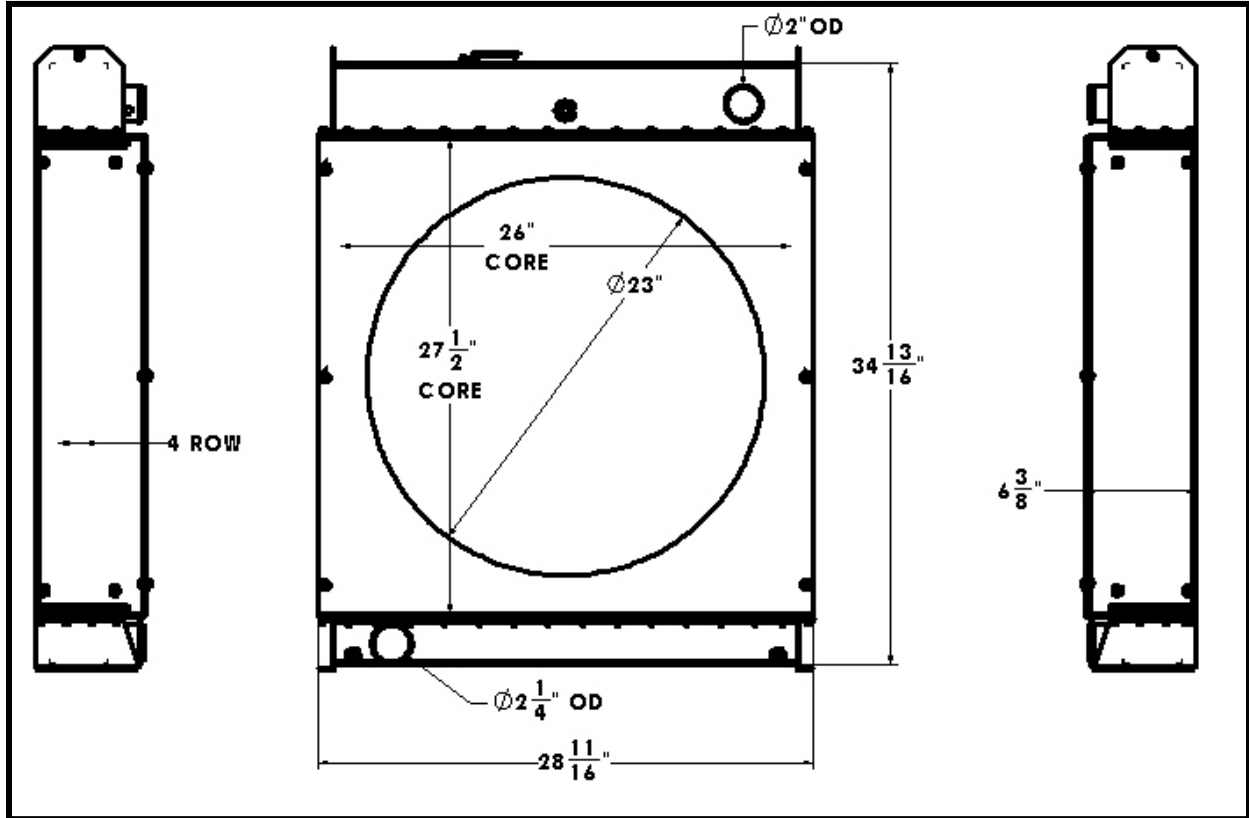


BGR Part Number: BT-0003-4I

OEM: PN 120-258A



Overall Dimensions : 34-13/16" X 28-11/16" X 6-3/8"

Core: 27-1/2" X 26" X 4 Row

Inlet: 2" OD

Outlet: 2-1/4" OD