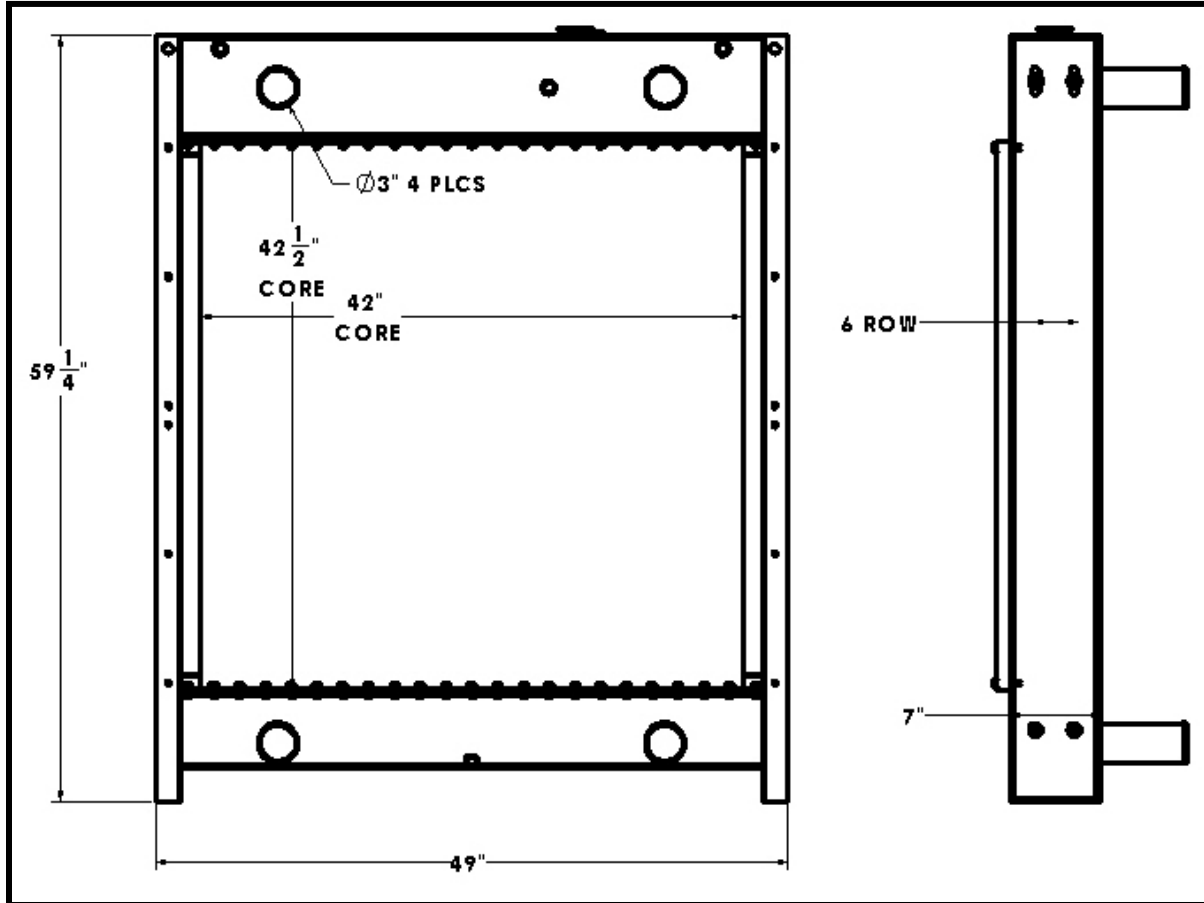


BGR Part Number: BT-0001-6R

OEM: SN849946



Overall Dimensions: $59\frac{1}{4}$ " X 49" X 7"

Core: $42\frac{1}{2}$ " X 42" X 6 Row

Inlet: 3" OD (2 Places)

Outlet: 3" OD (2 Places)