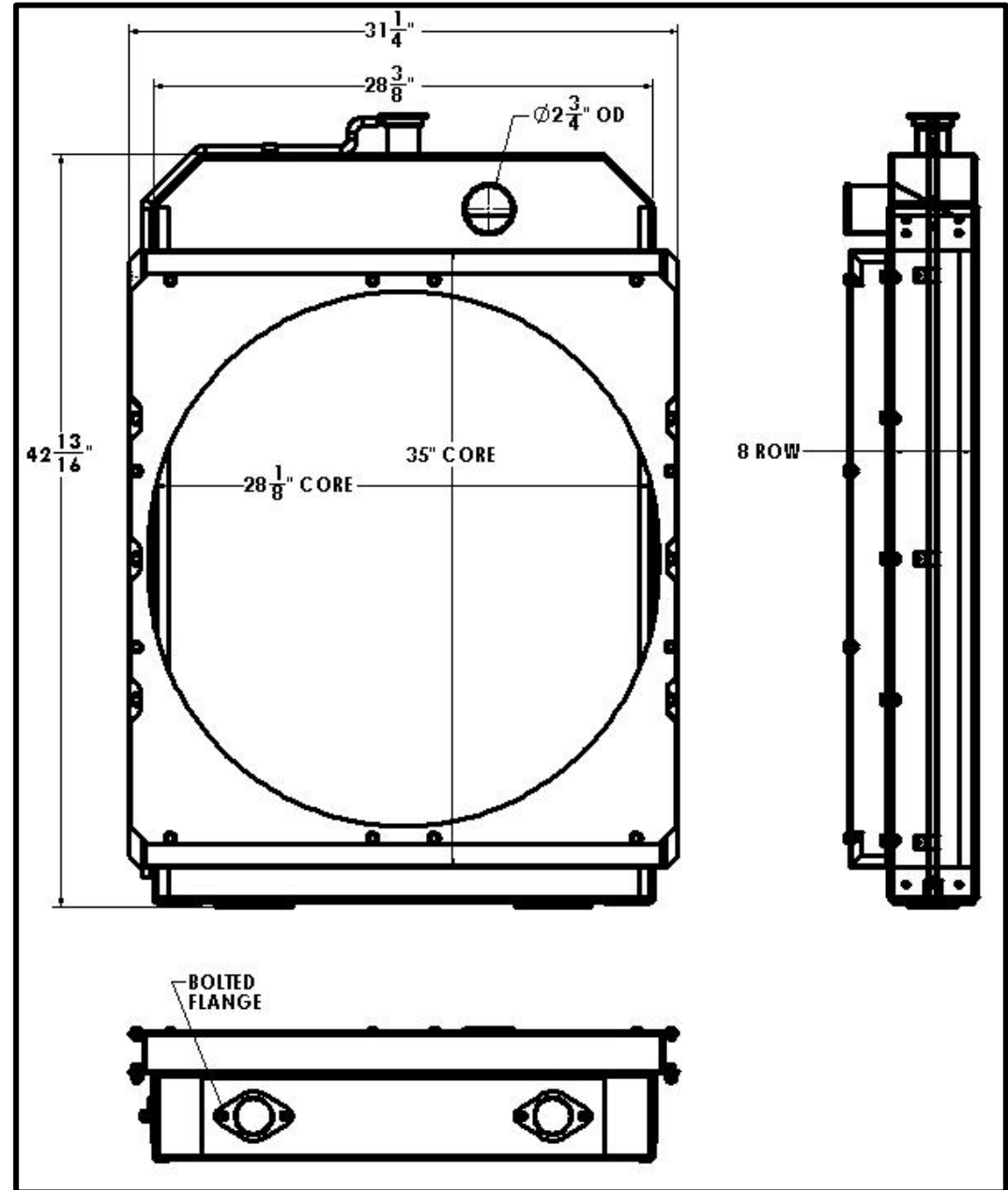


BGR Part Number: ST-0005-8R-FM
OEM: YT 304572

Overall Dimensions : 42-13/16" X 31-1/4" X 7-1/16"
Core: 35" X 28-1/8" X 8 Row
Inlet: 2-3/4" OD
Outlet: Bolted Flange (2 Places)
Available with or w/out Shroud



Listed dimensions may vary slightly from OE