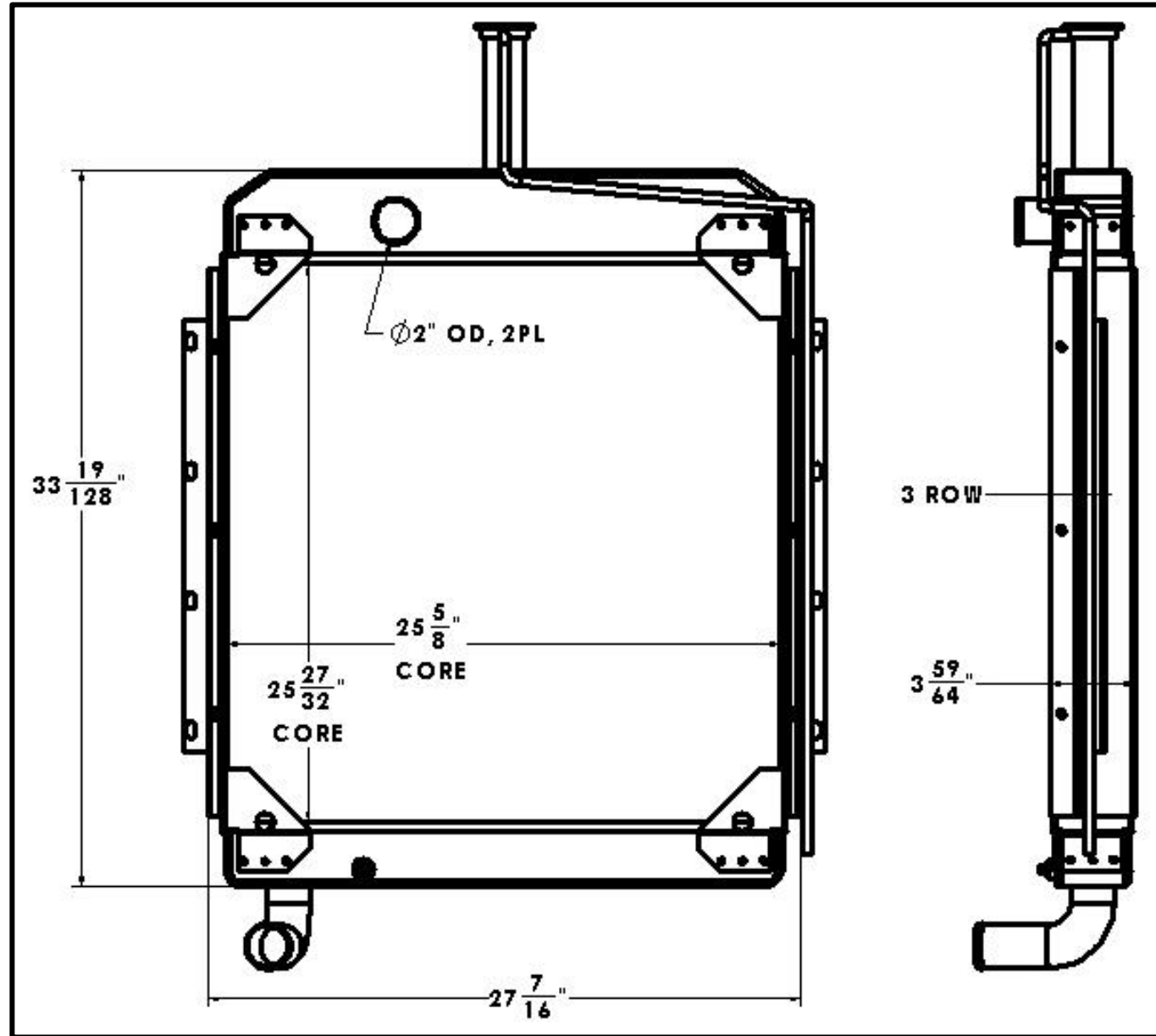


BGR Part Number: ST-0002-3R-F
ONAN Part Number: 130-0961-Revision M

Overall Dimensions: $33\frac{19}{128}$ " X $27\frac{7}{16}$ " X $3\frac{59}{64}$ "
CORE: $25\frac{27}{32}$ " X $25\frac{5}{8}$ " X 3 ROW
Inlet: 2" OD
Outlet: 2" OD



Listed dimensions may vary slightly from OE